

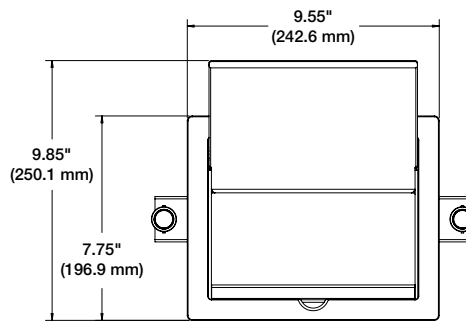
Specifications

TLE 710

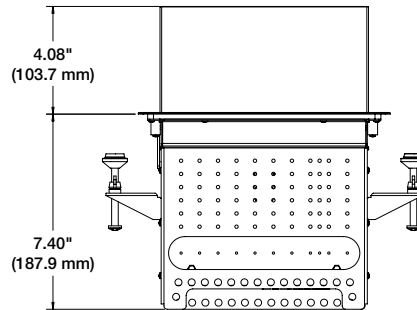
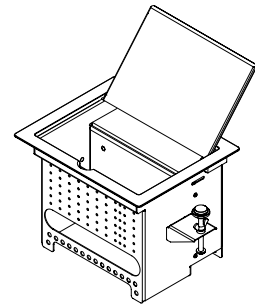
General

Mounting

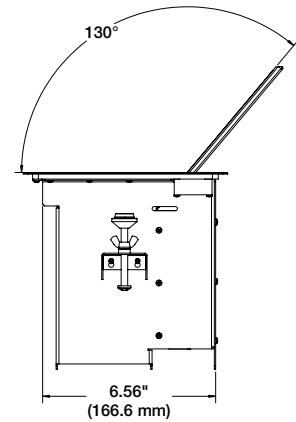
Furniture mount	With included hardware
Min./max. table thickness.....	0.375" to 2.00" (0.95 cm to 5.08 cm)
Enclosure type.....	Metal



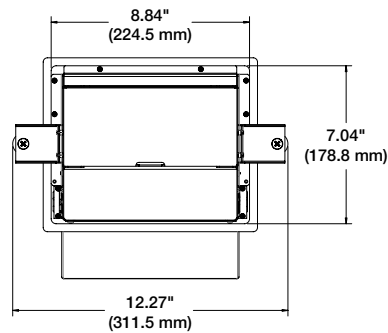
TOP VIEW



FRONT VIEW



SIDE VIEW



BOTTOM VIEW

NOTE: Architectural Adapter Plates (AAPs) shown in the diagrams above and in photographs are examples only. AAPs are optional accessories for this product. AAPs and cables must be ordered separately.

Enclosure dimensions

ATTENTION: Use the appropriate metal Extron routing template or refer to the surface cutout dimensions here before cutting a hole in the furniture or other surface. Pay special attention to the direction the unit will face; the units AAP and connector access side is underlined. Extron is not responsible for miscut mounting holes.

Top plate (outer rim)	<u>9.6</u> " W x 7.8" D <u>(24.3</u> cm W x 19.7 cm D)
Surface cutout (inside rim)	<u>8.90 +0.00/-0.02</u> " W x 7.10 +0.00/-0.02" D <u>(22.61 +0.00/-0.05</u> cm W x 18.03 +0.00/-0.05 cm D)
Box (under surface).....	7.4" H x 12.3" W (front/rear of unit) x 6.6" D with clamps (18.8 cm H x 31.2 cm W x 16.7 cm D with clamps)
Product weight.....	5.5 lbs (2.5 kg)
Shipping weight.....	9.9 lb (4.5 kg)
Vibration.....	ISTA 1A in carton (International Safe Transit Association)
Regulatory compliance	
Safety	CE
Environmental.....	Complies with the appropriate requirements of RoHS and WEEE.
Warranty.....	3 years parts and labor

NOTE: All nominal levels are at ±10%.

NOTE: Specifications are subject to change without notice.

8.0-083112-D1