

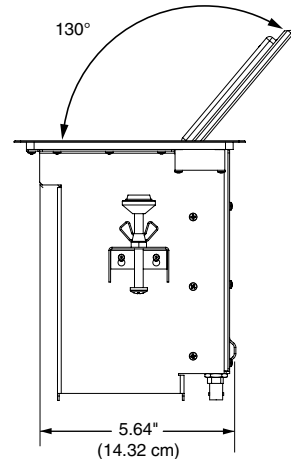
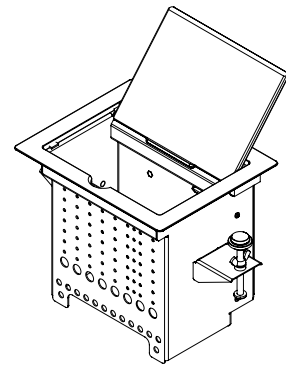
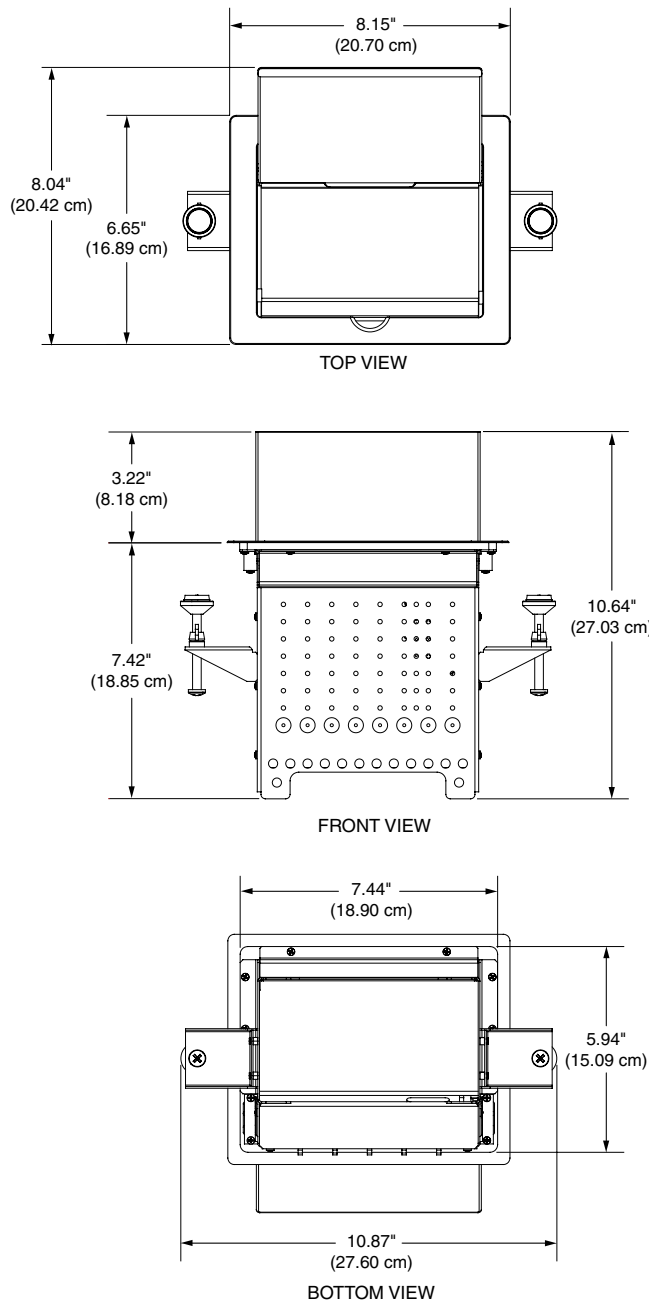
Specifications

TLE 350

General

Mounting

- Furniture mount With included hardware
- Min./max. table thickness..... 0.375" to 2.00" (0.95 cm to 5.08 cm)
- Enclosure type..... Metal
- Dimensions diagram examples:



NOTE: Architectural Adapter Plates (AAPs) shown in the diagrams above and in photographs are examples only. AAPs are optional accessories for this product. AAPs and cables must be ordered separately.

Enclosure dimensions

ATTENTION: Use the appropriate metal Extron routing template or refer to the surface cutout dimensions here before cutting a hole in the furniture or other surface. Pay special attention to the direction the unit will face; the unit AAP and connector access side is underlined. Extron is not responsible for miscut mounting holes.

Top plate (outer rim)	<u>8.2</u> " W x 6.7" D (<u>20.7</u> cm W x 16.9 cm D)
Surface cutout (inside rim)	<u>7.50 +0.00/-0.02</u> " W x 6.00 +0.00/-0.02" D (<u>19.05 +0.00/-0.05</u> cm W x 15.24 +0.00/-0.05 cm D)
Box (under surface).....	7.4" H x 10.9" W (front/rear of unit) x 5.6" D with clamps (18.9 cm H x 27.6 cm W x 14.3 cm D with clamps)
Product weight.....	4.4 lbs (2.0 kg)
Shipping weight.....	8.5 lbs (3.9 kg)
Vibration	ISTA 1A in carton (International Safe Transit Association)
Regulatory compliance	
Safety	CE
Environmental.....	Complies with the applicable requirements of RoHS and WEEE.
Warranty.....	3 years parts and labor

NOTE: All nominal levels are at $\pm 10\%$.

NOTE: Specifications are subject to change without notice.

8.0-083112-D1