

## Specifications

### TLC Pro 526M Series

#### Display

Screen type .....	TFT Active matrix color LCD
Size .....	5" (12.7 cm), measured diagonally
Resolution.....	800x480 (WVGA)
Pixel density.....	186.6 PPI
Aspect ratio .....	5:3
Color depth.....	24 bit, 16.7 million colors
Transparency .....	8 bit
Brightness .....	850 nits (cd/m2)
Contrast.....	700:1
Backlight.....	LED
Viewing angle.....	±70° horizontal, ±70° vertical
Touch screen .....	Capacitive

#### Memory

RAM .....	2 GB
Storage.....	8 GB

#### Ethernet

Connectors.....	1 female RJ-45 connector
Data rate.....	10/100/1000Base-T, half/full duplex with autodetect
Protocols .....	DHCP, DNS, HTTP, HTTPS, ICMP, SFTP, SSH, TCP/IP, UDP/IP
Default settings .....	Link speed and duplex level = autodetected IP address = 192.168.254.251 Subnet mask = 255.255.255.0 Default gateway = 0.0.0.0 DHCP = off DNS = 127.0.0.1

#### Software

Configuration software .....	Global Configurator Plus and Professional, GUI Designer
Control apps .....	Extron Control, iGVE
Resource management software.....	GlobalViewer Enterprise, iGVE
Utilities .....	Toolbelt, Embedded web page

#### Sensors

Motion sensor .....	On/off
Light sensor .....	Auto/manual

#### USB

Quantity/type .....	1 high-speed USB 2.0
Connectors.....	1 Micro-B receptacle
Standards .....	USB 2.0, USB 1.1, USB 1.0 compatible
Max. data rates.....	Low speed (1.5 Mbps), full speed (12 Mbps), high speed (480 Mbps)

# Specification • TLC Pro 526M Series (Continued)

## Digital input

Quantity/type .....	1 digital input (configurable) on touchpanel
Connectors .....	(1) 3.5 mm direct insertion captive screw connector, 2 pole
Digital input(s)	
Input voltage range.....	0 to 24 VDC, clamped at +30 VDC
Input impedance .....	≥10k ohms
Programmable pullup .....	1k ohms to +5 VDC
Threshold low to high .....	2.8 VDC
Threshold high to low .....	2.0 VDC

## Contact closure

Quantity/type .....	1 contact closure input on USB adapter
Connector.....	(1) 3.5 mm direct insertion captive screw connector, 3-pole, shared with IR port
Pin configuration .....	Internal pullup resistor is enabled to +5 VDC, non-selectable. The port is active when the contact pin latches to ground.

## Serial

Quantity/type .....	2 bidirectional RS-232
Connector.....	(1) 3.5 mm direct insertion captive screw connector, 5 pole
Baud rate and protocol .....	300 to 115200 baud (9600 baud = default); 8 (default) or 7 data bits; 1 (default) or 2 stop bits; no parity (default), even, or odd parity

**NOTE:** This port supports software flow control. The default is no flow control.

## Relay

Quantity/type .....	2 normally open relays
Relay control connectors .....	(1) 3.5 mm direct insertion captive screw connector, 3 pole
Relay control contact rating.....	24 VDC, 1 A

## IR

Quantity/type .....	TTL level (0 to 5 V) infrared (carrier or non-carrier) up to 300 kHz
Connector.....	(1) 3.5 mm direct insertion captive screw connector, 3 pole, shared with Contact closure
IR output carrier frequency.....	30 kHz to 300 kHz

## Audio output

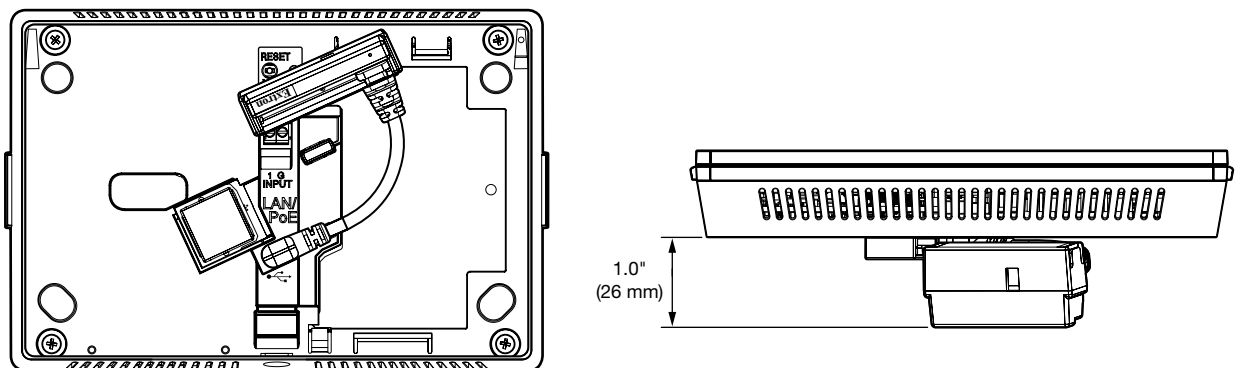
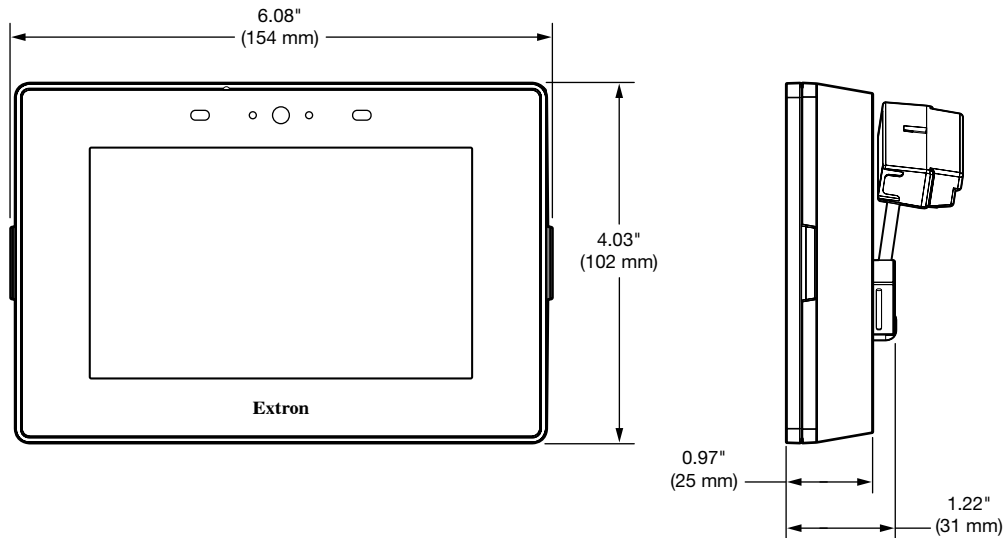
Speaker output.....	1 mono, 89 dB Max. SPL @ 0.1 m
Frequency response .....	750 Hz to 20 kHz, ±5 dB
Playback format(s)	
Container format .....	WAV (Microsoft RIFF)
Encoding .....	LPCM (uncompressed)
Bit depth .....	Unsigned 8-bit Signed 16-bit Signed 24-bit Signed 32-bit
Sampling rate .....	Up to 192 kHz
Audio channels.....	Mono or stereo

## General

Power supply .....	Not included
Power input requirements .....	Power over Ethernet (PoE 802.3af, class 3)
Power consumption — Power injector (XTP PI 100)	
Device .....	6.5 watts
Device and power injector .....	9.3 watts
Auxiliary power output	
USB .....	5 VDC, 275 mA

## Specification • TLC Pro 526M Series (Continued)

Temperature/humidity .....	Storage: -4 to +140 °F (-20 to +60 °C) / 10% to 90%, noncondensing Operating: +32 to +104 °F (0 to +40 °C) / 10% to 90%, noncondensing
Cooling .....	Convection, vents on back
Thermal dissipation — Power injector (XTP PI 100)	
Device .....	17.3 BTU/hr
Device and power injector .....	26.9 BTU/hr
Mounting .....	Wall, furniture, glass, or rack
Enclosure type .....	Plastic



Enclosure dimensions .....	4.03" H x 6.08" W x 1.22" D (102 mm H x 154 mm W x 31 mm D) Touchpanel projects 0.97" (25 mm) from the mounting surface
Adapter dimensions .....	0.47" H x 1.81" W x 0.91" D (12 mm H x 46 mm W x 23 mm D) Adapter projects 1.00" (26 mm) behind the mounting surface
Enclosure + Adapter dimensions....	4.03" H x 6.08" W x 1.97" D (102 mm H x 154 mm W x 51 mm D)
Product weight .....	0.85 lbs (0.39 kg)
Regulatory compliance.....	CE, C-tick, c-UL, FCC Class A, ICES, RoHS, UL, VCCI, WEEE
Warranty .....	3 years parts and labor; touchpanel display and overlay components are covered for 1 year

### NOTE:

- All nominal levels are at  $\pm 10\%$ .
- Specifications are subject to change without notice.
- Shipping dimensions and weights are available at [www.extron.com](http://www.extron.com).