

## Specifications

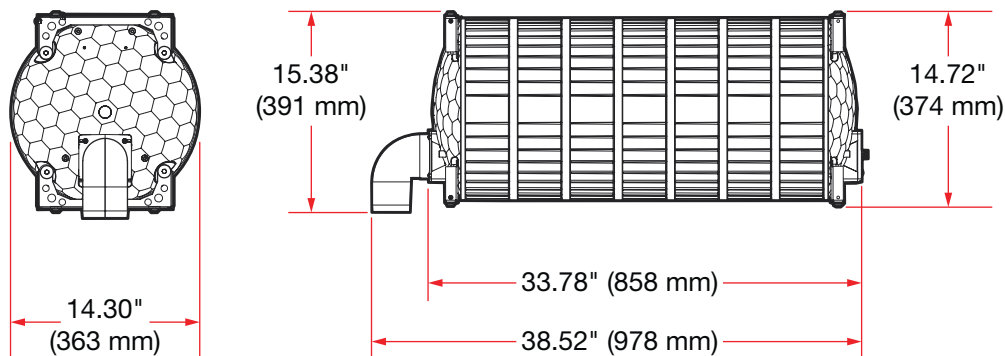
### SF 10C SUB

#### Audio/acoustic and electrical

Speaker type .....	In-ceiling subwoofer
Frequency range .....	25 Hz to 160 Hz, -10 dB, half space (per IEC 60268-5)
Power capacity .....	400 W (rms) continuous pink noise (per IEC 60268-5) 800 W (rms) continuous program
Rated maximum input voltage (MIV) .....	35.7 V (160 W at 8 ohms) (per AES2-2012)
Maximum SPL .....	116 dB, 1 m (based on maximum input voltage), full space 119 dB, 1 m (linear), full space
Nominal sensitivity .....	93 dB SPL, 1 W/1 m, corner loading
Nominal impedance .....	8 ohms
Driver .....	(1) 10" (254 mm) paper cone with waterproof coating
Input connector .....	(1) 5 mm captive screw connector, 4-pole, for double wiring

#### General

Package .....	1 speaker
Included accessories .....	Cutout template, setup guide, grille assembly kit, cable clamps, mounting cables (aircraft cables), isolation grommets, eye bolts
Temperature/humidity .....	Storage: -40 to +158 °F (-40 to +70 °C) / 10% to 90%, noncondensing Operating: +32 to +122 °F (0 to +50 °C) / 10% to 90%, noncondensing
Mounting .....	Mounts horizontally in the ceiling (standard, with included parts) or vertically on the floor (with optional SMK F SF 10C kit). For unistrut mounting, the unit includes 0.5" (13 mm) diameter mounting holes 1.875" (48 mm) apart on center.
Enclosure type .....	Plenum rated, fire resistant (UL 94V-0) composite with steel outer mesh and metal grille
Enclosure dimensions	
Without port tube .....	14.72" H x 14.30" W x 33.78" L (374 mm H x 363 mm W x 858 mm L)
With port tube .....	15.38" H x 14.30" W x 38.52" L (391 mm H x 363 mm W x 978 mm L)

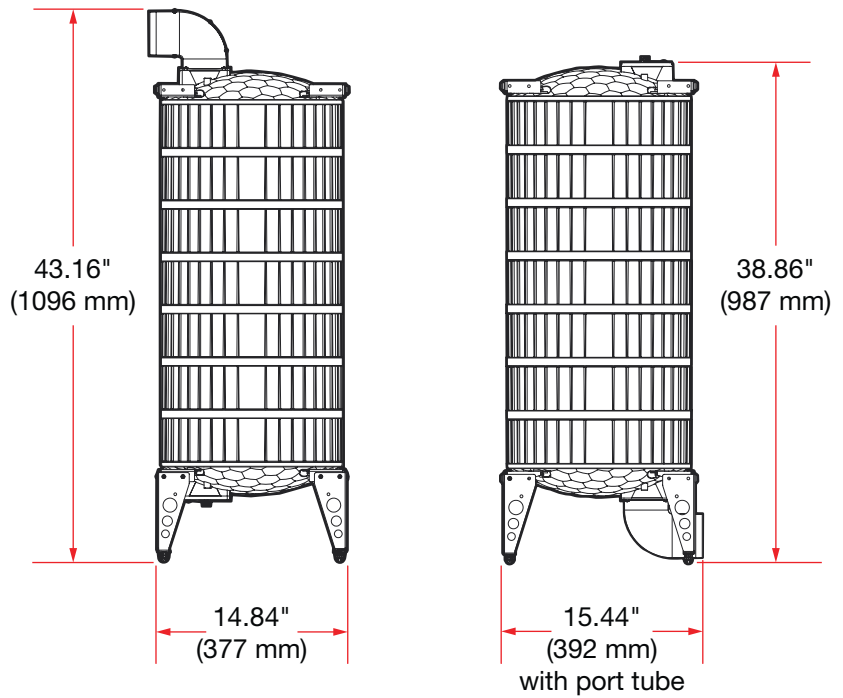


**NOTE:** These dimensions exclude grommets and eye bolts.

Cutout dimensions .....	7.6" (193 mm) diameter (for the grille adapter kit)
Horizontal mounting height .....	15.97" (406 mm) nominal distance from the bottom of the ceiling tile to the top of the unit

## Specification • SF 10C SUB (Continued)

Vertical mounting height.....	With optional SMK F SF 10C floor mounting kit installed
With port on top .....	43.16" (1096 mm) from the bottom of the mounting feet to the top of the port
With port on bottom .....	38.86" (987 mm) from the bottom of the mounting feet to the top of the enclosure



Product weight	
SF 10C SUB.....	38.0 lbs (17.2 kg)
Grille assembly .....	0.3 lbs (0.1 kg)
Regulatory compliance.....	CE, RoHS, UL 1480A, UL 2043, WEEE
Product warranty .....	5 years parts and labor

**NOTE:** All nominal levels are at  $\pm 10\%$ .

**NOTE:** Specifications are subject to change without notice.

**NOTE:** Shipping weights and dimensions are available at [www.extron.com](http://www.extron.com).

4309-D2