

Specifications

Retractor XL

Cable

VGA cables

Connector type	1 male 15-pin HD to 1 male 15-pin HD
Voltage	30 V
Regulatory compliance	
Safety	UL 20276, UL VW-1
Temperature rating	80 °C

HDMI cables

Standards.....	High speed HDMI
Connector type	1 male HDMI type A to 1 male HDMI type A
Voltage	30 V
Regulatory compliance	
Safety	UL 20276, UL VW-1
Temperature rating	80 °C

USB cables

Standards.....	USB 2.0
Connector type	1 male USB type A to 1 male USB type A
Regulatory compliance	
Safety	CSA CMG, CSA FT4
Temperature rating	75 °C

Network cables

Standards.....	CAT 6e
Connector type	1 male shielded RJ-45 to 1 male shielded RJ-45
Voltage	30 V
Regulatory compliance	
Safety	UL 20276, UL VW-1
Temperature rating	80 °C

Audio cables

Connector type	1 male 3.5 mm stereo audio TRS (tip, ring, sleeve) to 1 male 3.5 mm TRS
Voltage	30 V
Regulatory compliance	
Safety	UL 2725, UL VW-1
Temperature rating	80 °C

VGA-A

Connector type	1 male 15-pin HD with 24 inch male 3.5 mm stereo audio pigtail to 1 male 15-pin HD with 8 inch male 3.5 mm stereo audio pigtail
Voltage	30 V
Regulatory compliance	
Safety	UL 20276, UL VW-1
Temperature rating	80 °C

DisplayPort cables

Standards.....	DisplayPort 1.1a
Connector type	1 male latching DisplayPort to 1 male latching DisplayPort
Voltage	30 V
Regulatory compliance	
Safety	UL 20276, UL VW-1
Temperature rating	80 °C

DC connector cables

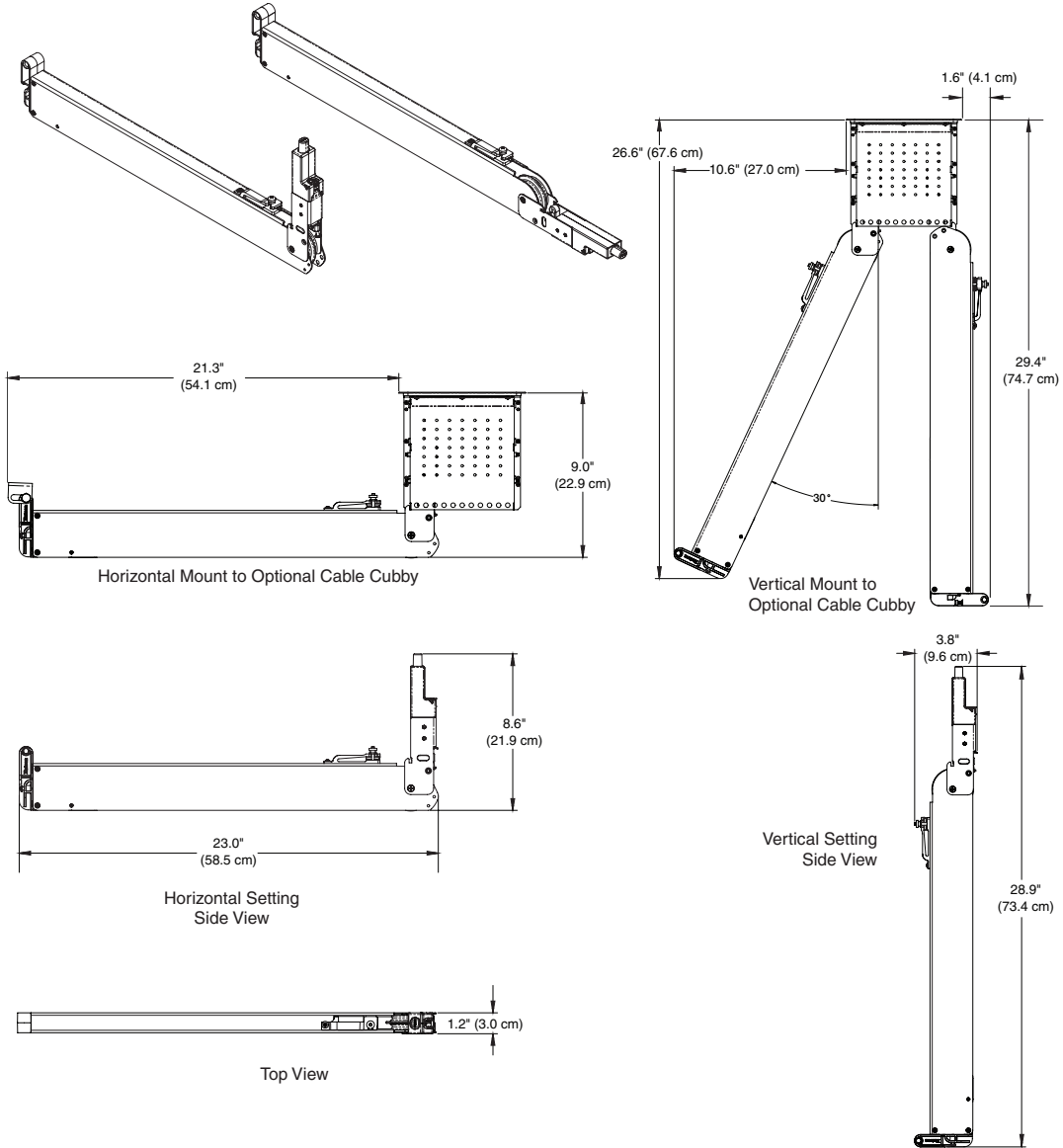
- Connector type 1 male DC power connector to 1 female DC power connector
- Voltage 300 V
- Regulatory compliance
 - Safety UL 2464, VW-1, UL, c-UL
 - Temperature rating 80 °C

General

Mounting Mountable into Extron Cable Cubby® and TLP Touchlink™ Cable Cubby enclosures (sold separately)

NOTE: An optional bracket is required for horizontal mounting. For Cable Cubby 200 installation, an additional bracket is required.

Enclosure type Metal and plastic
 Enclosure dimensions 3.8" H x 1.2" W x 28.9" L
 (9.7 cm H x 3.0 cm W x 73.4 cm L)
 See the following diagrams for additional dimensions.



Product weight	3.5 lbs (1.6 kg)
Shipping weight	4.3 lbs (2 kg)
Vibration	ISTA 1A in carton (International Safe Transit Association)
Regulatory compliance	
Environmental.....	Complies with the appropriate requirements of RoHS, WEEE
Life expectancy.....	Tested to exceed 7500 cycles
Warranty	3 years parts and labor including preinstalled cable assembly

NOTE: Specifications are subject to change without notice.

8.1-070914-D5