

Specifications

Retractor SM

Retractor SM "Show Me" Cables

VGA SMC "Show Me" cables

| | |
|--------------------------|--------------------------------------|
| Connector type | 1 male 15-pin HD to 1 male 15-pin HD |
| Voltage | 30 V |
| Regulatory compliance | |
| Safety | UL 20276, UL VW-1 |
| Temperature rating | 80 °C |

HDMI® SM "Show Me" cables

| | |
|--------------------------|--|
| Standards..... | High speed HDMI |
| Connector type | 1 male HDMI type A to 1 male HDMI type A |
| Data rates..... | Supports 10.2 Gbps |
| Color depth | Supports 48-bit (16-bits per color) |
| Vertical frequency | Supports up to 120 Hz |
| Voltage | 30 V |
| Regulatory compliance | |
| Safety | UL 20276, UL VW-1 |
| Temperature rating | 80 °C |

DisplayPort SM "Show Me" cables

| | |
|--------------------------|---|
| Standards..... | DisplayPort 1.1a |
| Connector type | 1 male DisplayPort to 1 male HDMI type A; active, one-way adapter |
| Data rates..... | Supports 10.2 Gbps |
| Color depth | Supports 48-bit (16-bits per color) |
| Vertical frequency | Supports up to 120 Hz |
| Voltage | 30 V |
| Regulatory compliance | |
| Safety | UL 20276, UL VW-1 |
| Temperature rating | 80 °C |

Mini DisplayPort SM "Show Me" cables

| | |
|--------------------------|--|
| Standards..... | DisplayPort 1.1a |
| Connector type | 1 male Mini DisplayPort to 1 male HDMI type A; active, one-way adapter |
| Data rates..... | Supports 10.2 Gbps |
| Color depth | Supports 48-bit (16-bits per color) |
| Vertical frequency | Supports up to 120 Hz |
| Voltage | 30 V |
| Regulatory compliance | |
| Safety | UL 20276, UL VW-1 |
| Temperature rating | 80 °C |

NOTE: All "Show Me" cables include a 24 inch (60 cm) control/tally pigtail.

Retractor SM Network and Audio Cables

Network cables

| | |
|--------------------------|--|
| Standards..... | CAT 6 |
| Connector type | 1 male shielded RJ-45 to 1 male shielded RJ-45 |
| Voltage | 30 V |
| Regulatory compliance | |
| Safety | UL 20276, UL VW-1, UL 758 AWM |
| Temperature rating | 80 °C |

Audio cables

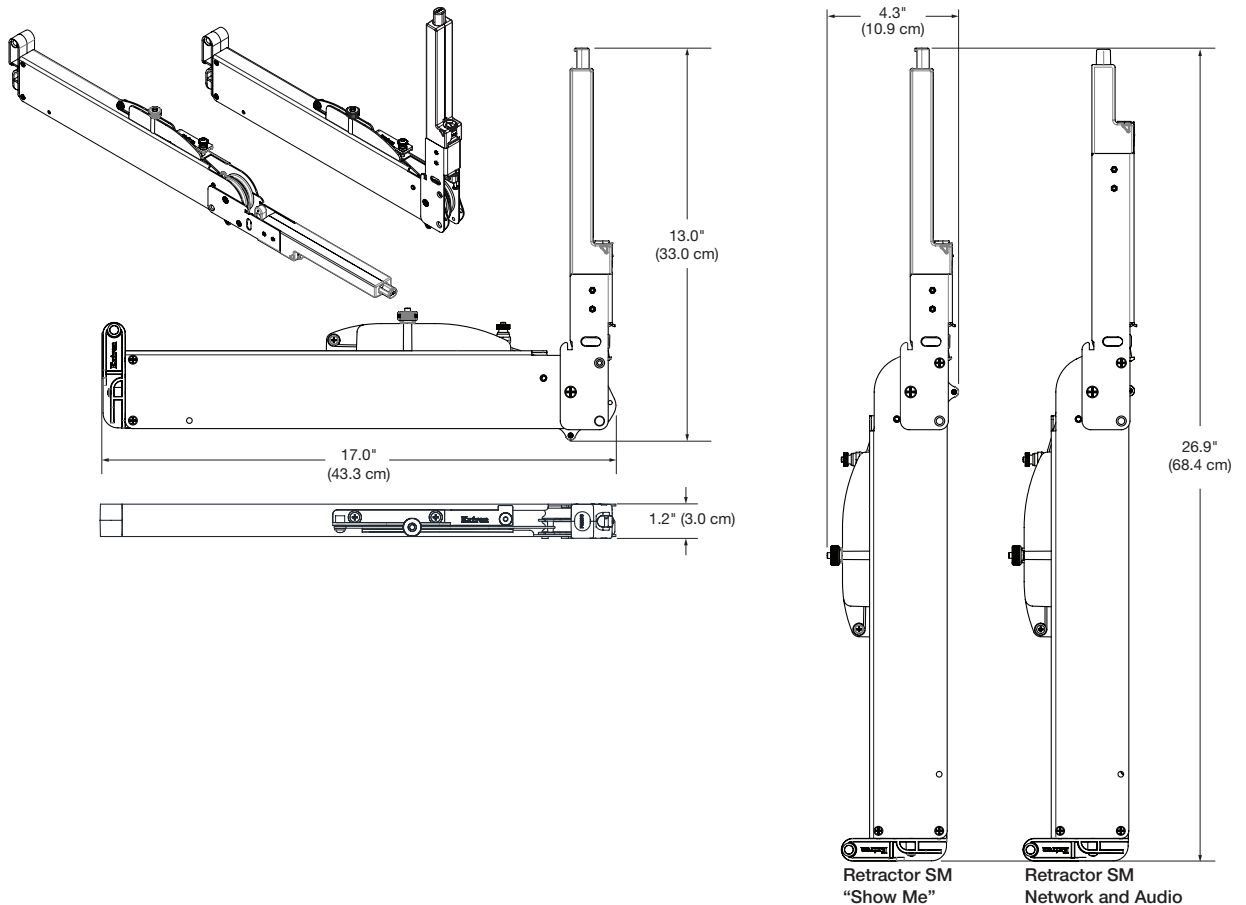
| | |
|--------------------------|---|
| Connector type | 1 male 3.5 mm stereo audio TRS (tip, ring, sleeve) to 1 male 3.5 mm TRS |
| Voltage | 30 V |
| Regulatory compliance | |
| Safety | UL 2725, UL VW-1 |
| Temperature rating | 80 °C |

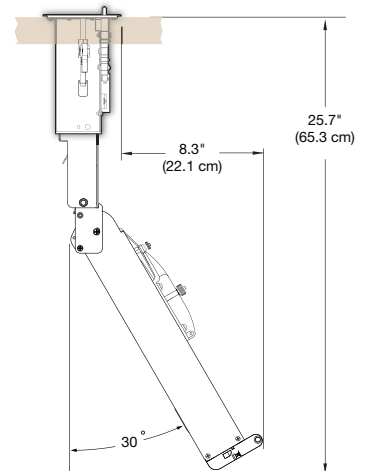
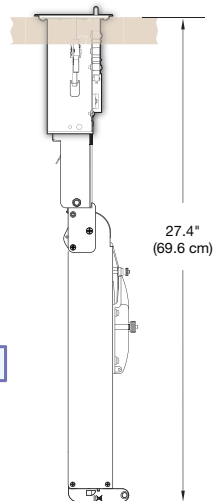
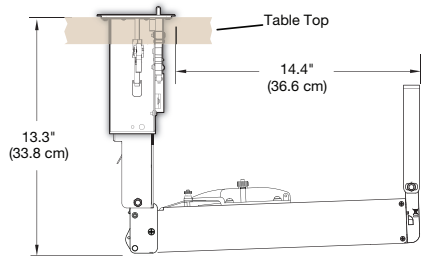
General

Mounting Mountable into Extron TeamWork® Collaboration Systems only (sold separately)

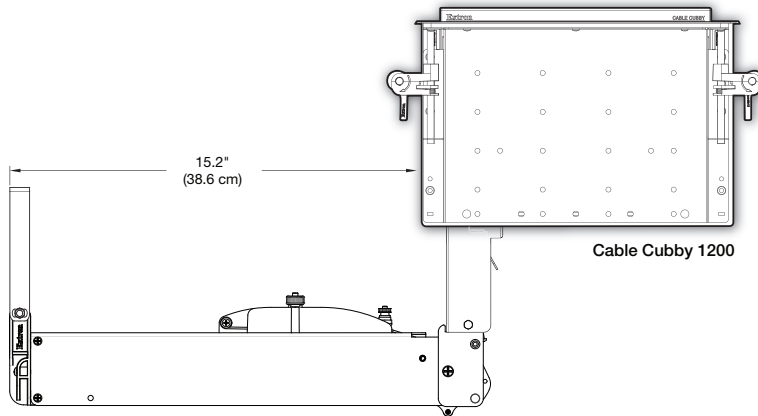
NOTE: An optional bracket is required for horizontal mounting.

Enclosure type Metal and plastic
 Enclosure dimensions 4.3" H x 1.2" W x 26.9" L
 (10.9 cm H x 3.0 cm W x 68.4 cm L)
 See the following diagrams for additional dimensions.





NOTE: Shown with optional Cable Cubby 1200 enclosure.



| | |
|-----------------------|---|
| Product weight | 3.5 lbs (1.6 kg) |
| Shipping weight | 5 lbs (3 kg) |
| Vibration | ISTA 1A in carton (International Safe Transit Association) |
| Regulatory compliance | |
| Environmental..... | Complies with the appropriate requirements of RoHS, WEEE |
| Life expectancy..... | Tested to exceed 5000 cycles |
| Warranty | 3 years parts and labor including preinstalled cable assembly |

NOTE: Specifications are subject to change without notice.

8.1-101615-D3