

# Specifications

## Retractor

### Cable

#### VGA cables

Connector type .....	1 male 15-pin HD to 1 male 15-pin HD
Voltage .....	30 V
Regulatory compliance	
Safety .....	UL 20276, UL VW-1
Temperature rating .....	80 °C

#### HDMI cables

Standards.....	High speed HDMI
Connector type .....	1 male HDMI type A to 1 male HDMI type A
Voltage .....	30 V
Regulatory compliance	
Safety .....	UL 20276, UL VW-1
Temperature rating .....	80 °C

#### USB cables

Standards.....	USB 2.0
Connector type .....	1 male USB type A to 1 male USB type A
Regulatory compliance	
Safety .....	CSA CMG, CSA FT4
Temperature rating .....	75 °C

#### Network cables

Standards.....	CAT 6e
Connector type .....	1 male shielded RJ-45 to 1 male shielded RJ-45
Voltage .....	30 V
Regulatory compliance	
Safety .....	UL 20276, UL VW-1
Temperature rating .....	80 °C

#### Audio cables

Connector type .....	1 male 3.5 mm stereo audio TRS (tip, ring, sleeve) to 1 male 3.5 mm TRS
Voltage .....	30 V
Regulatory compliance	
Safety .....	UL 2725, UL VW-1
Temperature rating .....	80 °C

#### VGA-A

Connector type .....	1 male 15-pin HD with 24 inch male 3.5 mm stereo audio pigtail to 1 male 15-pin HD with 8 inch male 3.5 mm stereo audio pigtail
Voltage .....	30 V
Regulatory compliance	
Safety .....	UL 20276, UL VW-1
Temperature rating .....	80 °C

#### DisplayPort cables

Standards.....	DisplayPort 1.1a
Connector type .....	1 male latching DisplayPort to 1 male latching DisplayPort
Voltage .....	30 V
Regulatory compliance	
Safety .....	UL 20276, UL VW-1
Temperature rating .....	80 °C

DC connector cables

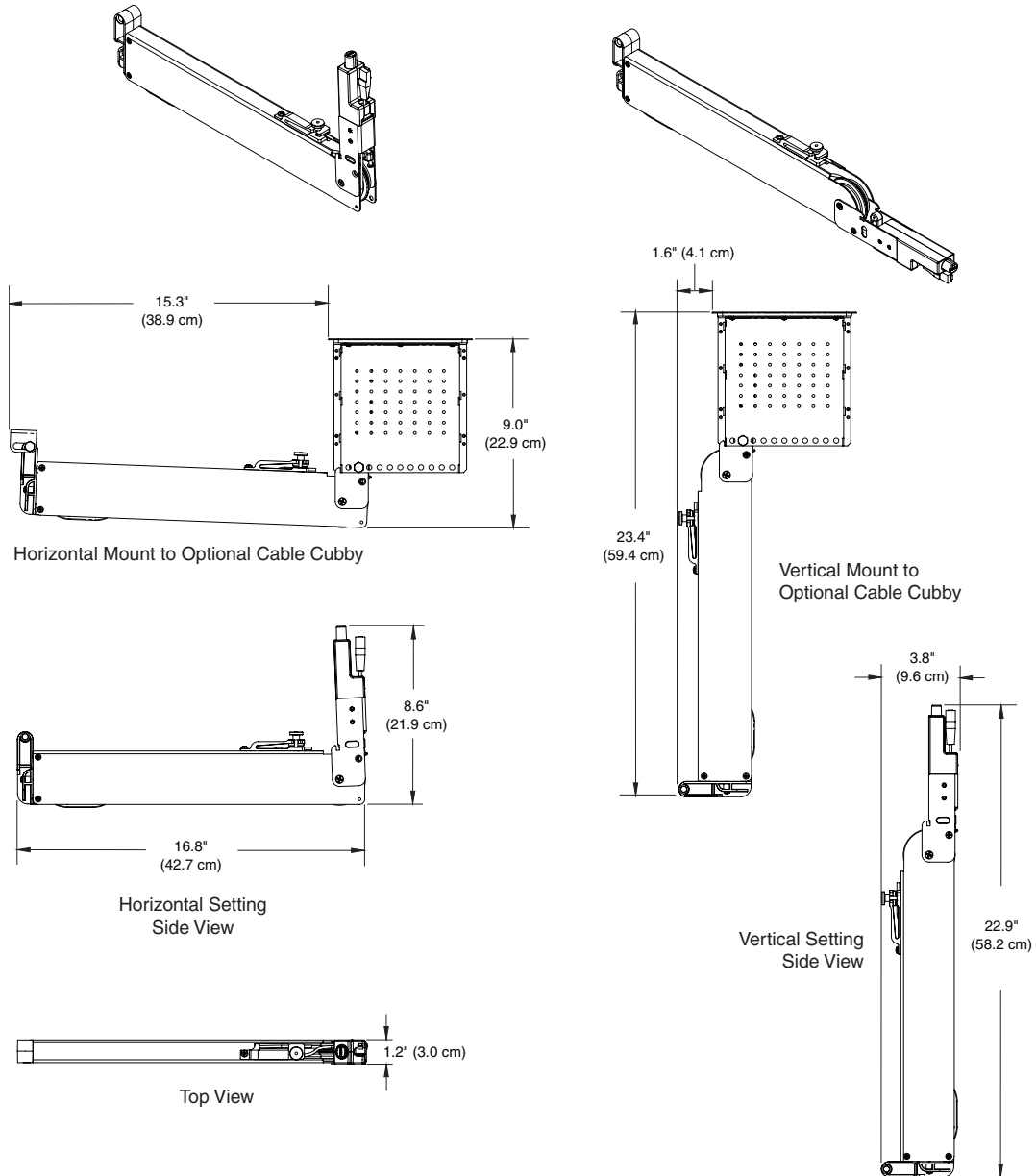
Connector type .....	1 male DC power connector to 1 female DC power connector
Voltage .....	300 V
Regulatory compliance	
Safety .....	UL 2464, VW-1, UL, c-UL
Temperature rating .....	80 °C

**General**

Mounting ..... Mountable into Extron Cable Cubby® and TLP Touchlink™ Cable Cubby enclosures (sold separately)

**NOTE:** An optional bracket is required for horizontal mounting. For Cable Cubby 200 installation, an additional bracket is required.

Enclosure type ..... Metal and plastic  
 Enclosure dimensions ..... 3.8" H x 1.2" W x 22.9" L  
 (9.7 cm H x 3.0 cm W x 58.2 cm L)  
 See the following diagrams for additional dimensions.



Product weight .....	2.6 lbs (1.2 kg)
Shipping weight .....	4.0 lbs (2 kg)
Vibration .....	ISTA 1A in carton (International Safe Transit Association)
Regulatory compliance	
Environmental.....	Complies with the appropriate requirements of RoHS, WEEE
Life expectancy.....	Tested to exceed 7500 cycles
Warranty .....	3 years parts and labor including preinstalled cable assembly

**NOTE:** Specifications are subject to change without notice.

8.1-070914-D12