

# Specifications

## RCP 101 Series

### Communication

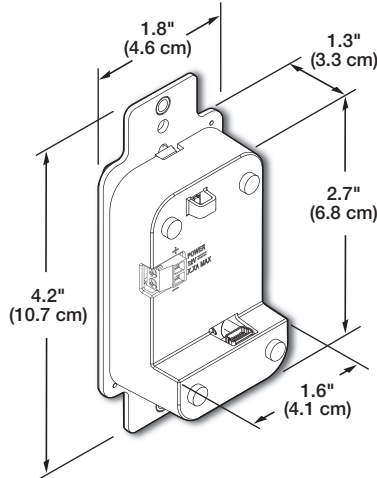
USB storage port .....	1 front panel female USB Type A (max. current 1.5A)
USB control port .....	1 rear panel female mini USB B, connects to the control port on the SMP device.
USB standards .....	USB 2.0, high speed host (480Mbps)

### General

Power supply .....	External Input: 100-240 VAC, 50-60 Hz Output: 12 VDC, 1 A
Power consumption	
RCP 101 D .....	3.1 W
RCP 101 EU/MK .....	3.2 W
Temperature/humidity .....	Storage: -40 to +158 °F (-40 to +70 °C) / 10% to 90%, noncondensing Operating: +32 to +122 °F (0 to +50 °C) / 10% to 90%, noncondensing
Cooling .....	Convection, no vents
Thermal dissipation	
RCP 101 D .....	1.8 BTU/hr
RCP 101 EU/MK .....	2.4 BTU/hr
Mounting	
Furniture or wall mount	
RCP 101 D .....	Mounts to standard 1-gang US enclosures or to surfaces with included mud ring.
RCP 101 EU .....	Mounts to standard 1-gang enclosures with 60 mm mounting centers. Device module fits Flex55 mounting frames that accept 55 mm x 55 mm modules.
RCP 101 MK .....	Mounts in a standard MK electric type British standard wall box or junction box.
Enclosure type .....	High impact plastic blend, metal mounting bracket

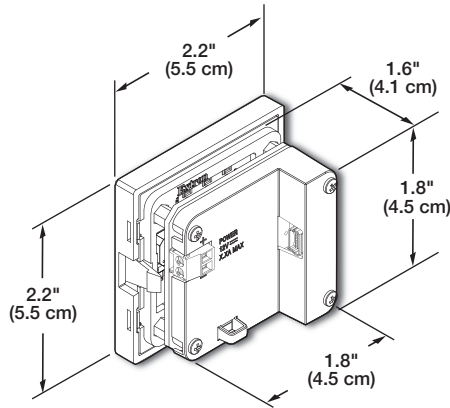
Enclosure dimensions

RCP 101 D.....	Fits the opening in a standard 1-gang US wallplate
Wallplate.....	4.50" H x 2.79" W x 0.38" D (114.3 mm H x 70.8 mm W x 9.7 mm D)
Device .....	2.7" H x 1.6" W x 1.3" D (69 mm H x 41 mm W x 33 mm D) (Depth includes connectors and buttons. Allow enough depth in the wall or furniture for the device plus cable clearance.)



**RCP 101 D**

RCP 101 EU.....	Fits the opening in a 1-gang EU, Jung AS 500 wallplate, Extron Flex55 mounting system, or other European frame that accepts 55 mm x 55 mm modules
Wallplate.....	3.17" H x 3.17" W x 0.51" D (80.5 mm H x 80.5 mm W x 12.9 mm D)
Device .....	1.8" H x 1.8" W x 1.6" D (45 mm H x 45 mm W x 40 mm D) (Depth includes connectors and buttons. Allow enough depth in the wall or furniture for the device plus cable clearance.)
RCP 101 MK.....	Mounts in a standard MK Wall Frame for United Kingdom Junction Boxes
Wallplate.....	3.39" H x 3.39" W x 0.40" D (1-gang) 86.0 mm H x 86.0 mm W x 10.1 mm D)
Device .....	1.8" H x 1.8" W x 1.6" D (45 mm H x 45 mm W x 40 mm D) Fits mounting frames that accept 55 mm x 55 mm modules. (Allow at least 1.9" [47 mm] in the junction box for device plus cable clearance.)



**RCP 101 EU/MK**

Product weight	
RCP 101 D.....	1.0 lb (0.5 kg)
RCP 101 EU.....	1.0 lb (0.5 kg)
RCP 101 MK.....	1.0 lb (0.5 kg)
Vibration .....	ISTA 1A in carton (International Safe Transit Association)
Regulatory compliance	
Safety.....	CE, c-UL, UL
EMI/EMC.....	CE, C-Tick, FCC Class A, ICES
Environmental.....	Complies with the appropriate requirements of RoHS, WEEE.
Accessibility.....	Complies with the appropriate requirements of Section 508 of the Rehabilitation Act (29 U.S.C. 794d).
Warranty .....	3 years parts and labor

**NOTE:** All nominal levels are at  $\pm 10\%$ .

**NOTE:** Specifications are subject to change without notice.

**NOTE:** Shipping weights and dimensions are available at [www.extron.com](http://www.extron.com).

8.1-040717-D2