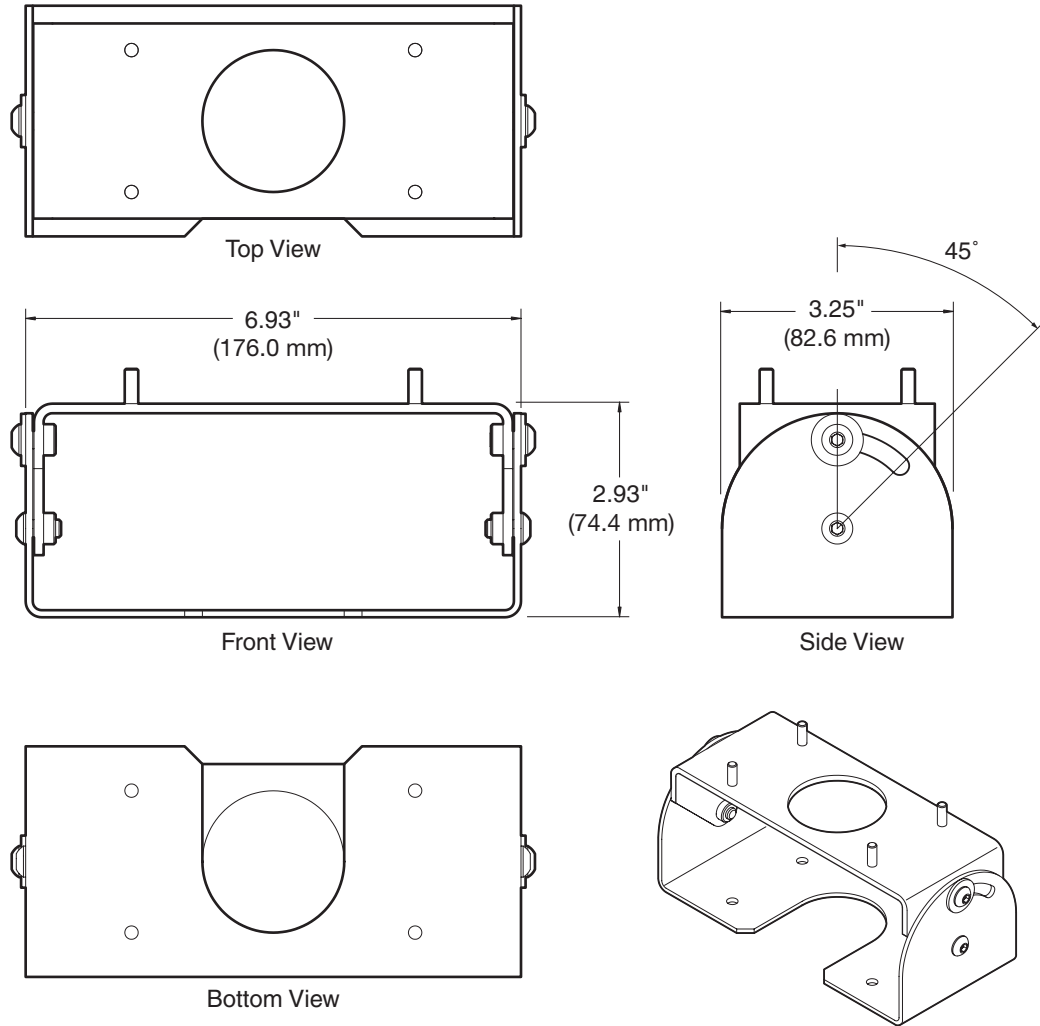


Specifications — PCM AM

General

Maximum load capacity..... 50 lbs (22.7 kg)
Material..... Steel
Dimensions 3.25" W x 2.9" H x 6.9" D
(8.3 cm W x 7.4 cm H x 17.6 cm D)



Adjustment ranges..... 45° angle
Product weight 1.5 lbs (0.7 kg)
Shipping weight 3 lbs (2 kg)
Vibration..... ISTA 1A in carton (International Safe Transit Association)
Regulatory compliance
Safety..... c-UL, UL
Warranty 3 years parts and labor

NOTE Specifications are subject to change without notice.

7.6-110209-D2