

Specifications

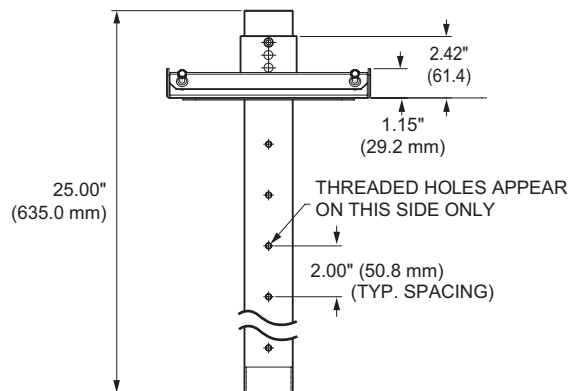
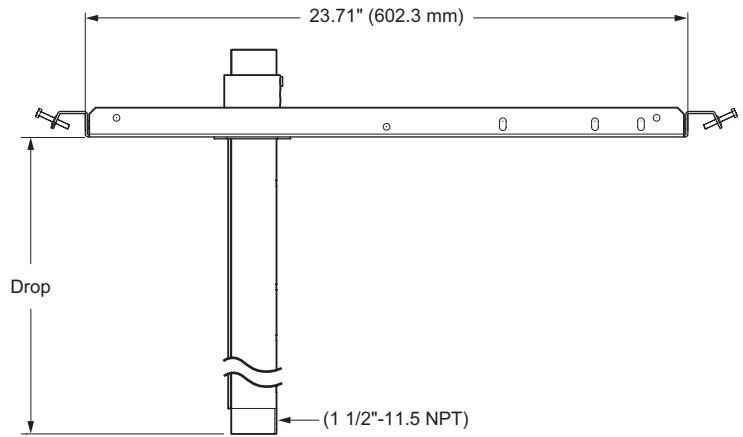
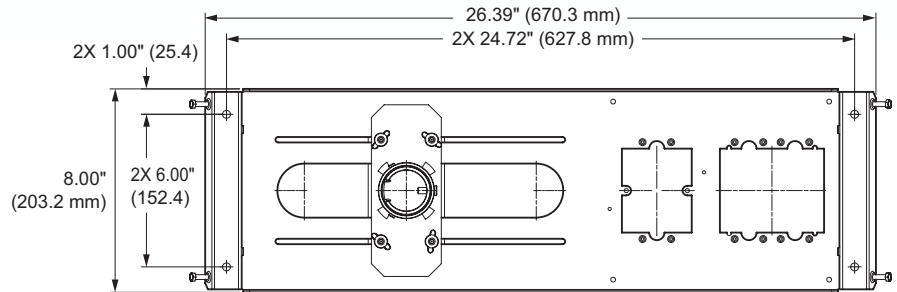
PCM 340

General

Maximum load capacity..... 50 lbs (22.7 kg)
 Material Baseplate and pipe: aluminum
 Tie wire: steel, 14 AWG, 70,000 psi tensile strength

Dimensions

Base plate..... 1.2" H x 26.4" W x 8.0" D
 (2.9 cm H x 67.0 cm W x 20.3 cm D)
 Pipe..... 25" length, 1.5"-11.5 NPT



Adjustment ranges..... 1.5" - 23.0" drop, 21.5" adjustability in 0.5" steps

NOTE: Drop distances are measured from the bottom of the hanger plate.

Product weight..... 4.5 lbs (2 kg)

Shipping weight..... 9 lbs (5 kg)

NOTE: Weights include the pipe.

Vibration..... ISTA 1A in carton (International Safe Transit Association)

Regulatory compliance

Safety..... CE; c-UL, UL for use with UL Listed mount and projector;
OSHPD anchorage pre-approval

Warranty..... 3 years parts and labor

NOTE: Specifications are subject to change without notice.

8.0-010612-D9