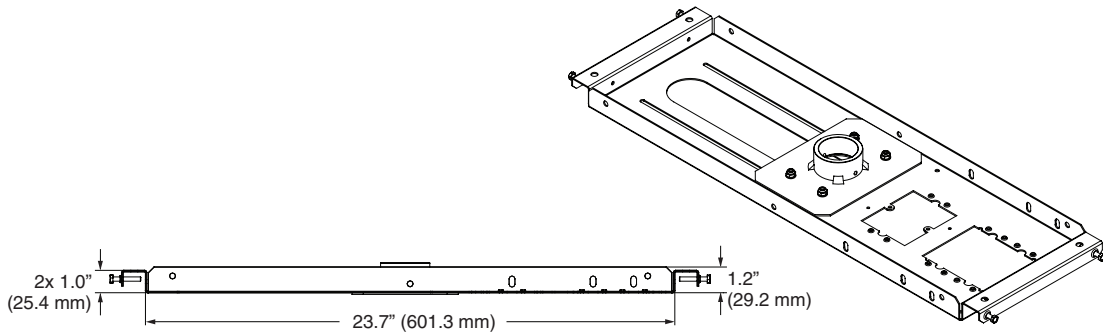
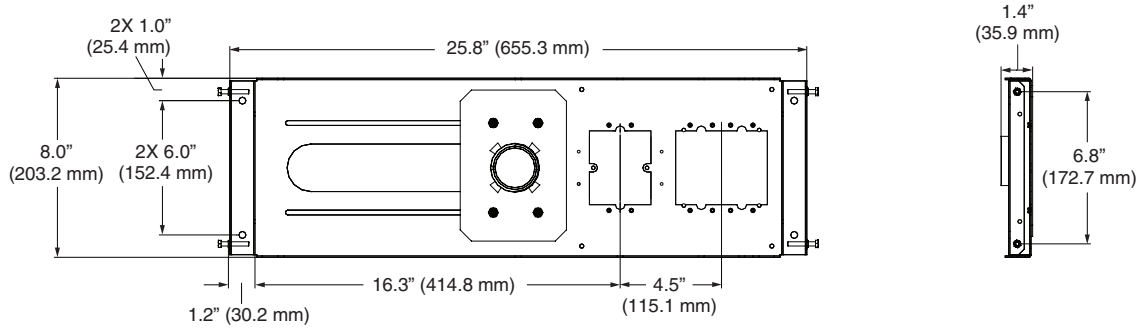


Specifications — PCM 240

General

Mounting..... Ceiling mountable
 Maximum load capacity..... 50 lbs (22.7 kg)
 Material Steel
 Dimensions 1.2" H x 25.8" W x 8.0" D
 3.0 cm H x 65.5 cm W x 20.3 cm D



NOTE The PCM 240 accepts a 1.5" diameter (o.d.), 11.5 NPT/NPS extension column

Product weight 5.6 lbs (2.5 kg)
 Shipping weight 9 lbs (4 kg)
 Vibration ISTA 1A in carton (International Safe Transit Association)
 Listings..... UL, CUL
 Compliances..... CE, OSHPD anchorage pre-approval
 Warranty 3 years parts and labor

NOTE Specifications are subject to change without notice.

(7.53-102307-D2)