

Specifications

Network Button Panels

Memory

SDRAM.....	512 MB
Flash.....	512 MB

Software

Configuration software	Global Configurator® Plus and Professional
Programming software.....	Global Scripter®
Control apps.....	Extron Control
Resource management software....	GlobalViewer® Enterprise
Utilities	Toolbelt, embedded web page

Ethernet

Network interface controllers (NICs)	1
Connector.....	1 female RJ-45 connector
Data rate.....	10/100Base-T, half/full duplex with autodetect
Protocols	DHCP, DNS, HTTP, HTTPS, ICMP, NTP, SFTP, SMTP, SNMP, SSH, TCP/IP, UDP/IP
Default settings	Link speed and duplex level = autodetected IP address = 192.168.254.253 Subnet mask = 255.255.255.0 Gateway = 0.0.0.0 DHCP = off DNS = 127.0.0.1

General

Power supply	Not included
Power input requirements	Power over Ethernet (PoE) (complies with PoE 802.3af, class 3)
Power consumption	
NBP 105 D	
Device	2.0 watts
Device and PoE injector.....	5.1 watts
NBP 106 D	
Device	2.2 watts
Device and PoE injector.....	5.1 watts
NBP 108 D	
Device	1.9 watts
Device and PoE injector.....	5.0 watts
NBP 110 D	
Device	2.0 watts
Device and PoE injector.....	4.6 watts
NBP 100	
Device	TBD watts
Device and PoE injector.....	TBD watts
NBP 200	
Device	TBD watts
Device and PoE injector.....	TBD watts

Specifications • Network Button Panels (Continued)

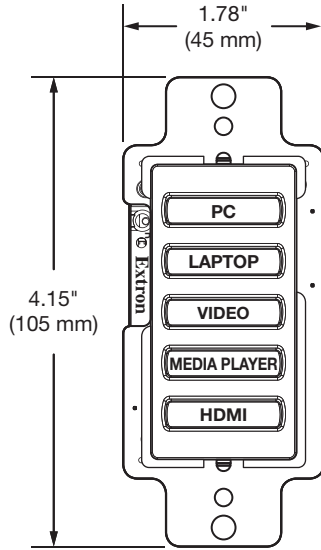
Temperature/humidity	Storage: -40 to +158 °F (-40 to +70 °C) / 10% to 90%, noncondensing Operating: +32 to +122 °F (0 to +50 °C) / 10% to 90%, noncondensing
Cooling	Convection, no vents
Thermal dissipation	
NBP 105 D	
Device	6.7 BTU/hr
Device and PoE injector	17.1 BTU/hr
NBP 106 D	
Device	7.5 BTU/hr
Device and PoE injector	17.3 BTU/hr
NBP 108 D	
Device	6.4 BTU/hr
Device and PoE injector	16.8 BTU/hr
NBP 110 D	
Device	6.5 BTU/hr
Device and PoE injector	15.7 BTU/hr
NBP 100	
Device	TBD BTU/hr
Device and PoE injector	TBD BTU/hr
NBP 200	
Device	TBD BTU/hr
Device and PoE injector	TBD BTU/hr
Mounting	
Rack mount	No
Furniture or wall mount	
NBP Decorator-style Series	Yes, in a standard US 1-gang electrical junction box or mud ring
NBP 100	Yes, in a standard US 2-gang electrical junction box or mud ring
NBP 200	Yes, in a standard US 3-gang electrical junction box or mud ring
Enclosure type	
All models	Plastic faceplate and high-impact plastic rear enclosure

Specifications • Network Button Panels (Continued)

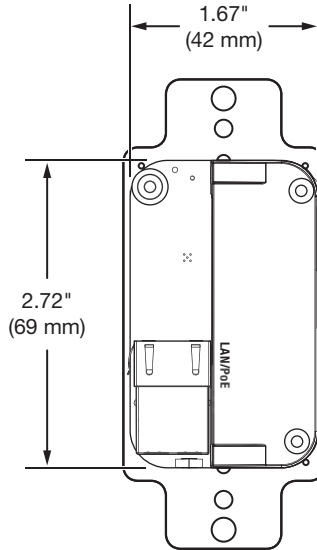
Enclosure dimensions

Decorator-style models

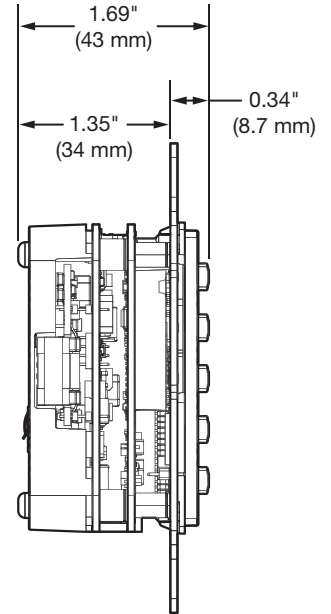
Faceplate.....	4.50" H x 2.75" W x 0.26" D (114 mm H x 70 mm W x 6.5 mm D)
Device	4.15" H x 1.78" W x 1.69" D (105 mm H x 45 mm W x 43 mm D)
	with mounting tabs, bezel and buttons
	2.72" H x 1.67" W x 1.35" D (69 mm H x 42 mm W x 34 mm D)
	without mounting tabs, bezel, or buttons
	(Fits most 1 gang US boxes or mud rings. Allow enough depth in the wall or furniture for device and cable clearance.)



**NBP 105 D
Front View**



**NBP 105 D
Rear View**

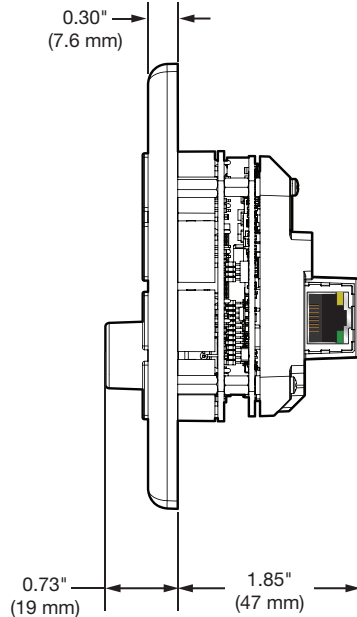


**NBP 105 D
Side View**

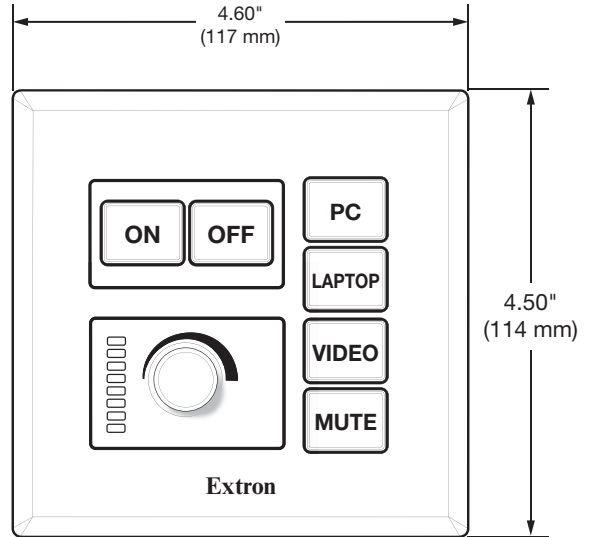
Specifications • Network Button Panels (Continued)

NBP 100

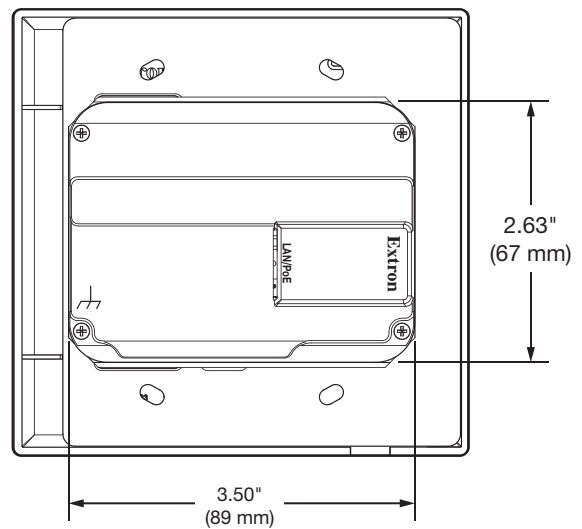
- Faceplate..... 4.50" H x 4.60" W x 0.30" D (114 mm H x 117 mm W x 8.6 mm D)
- Device 2.63" H x 3.50" W x 1.85" D (67 mm H x 89 mm W x 47 mm D)
 (Depth excludes faceplate, buttons, and knob. Fits most 2 gang US boxes or mud rings. Allow depth in the wall or furniture for device and cable clearance.)



NBP 100 Side View



NBP 100 Front View

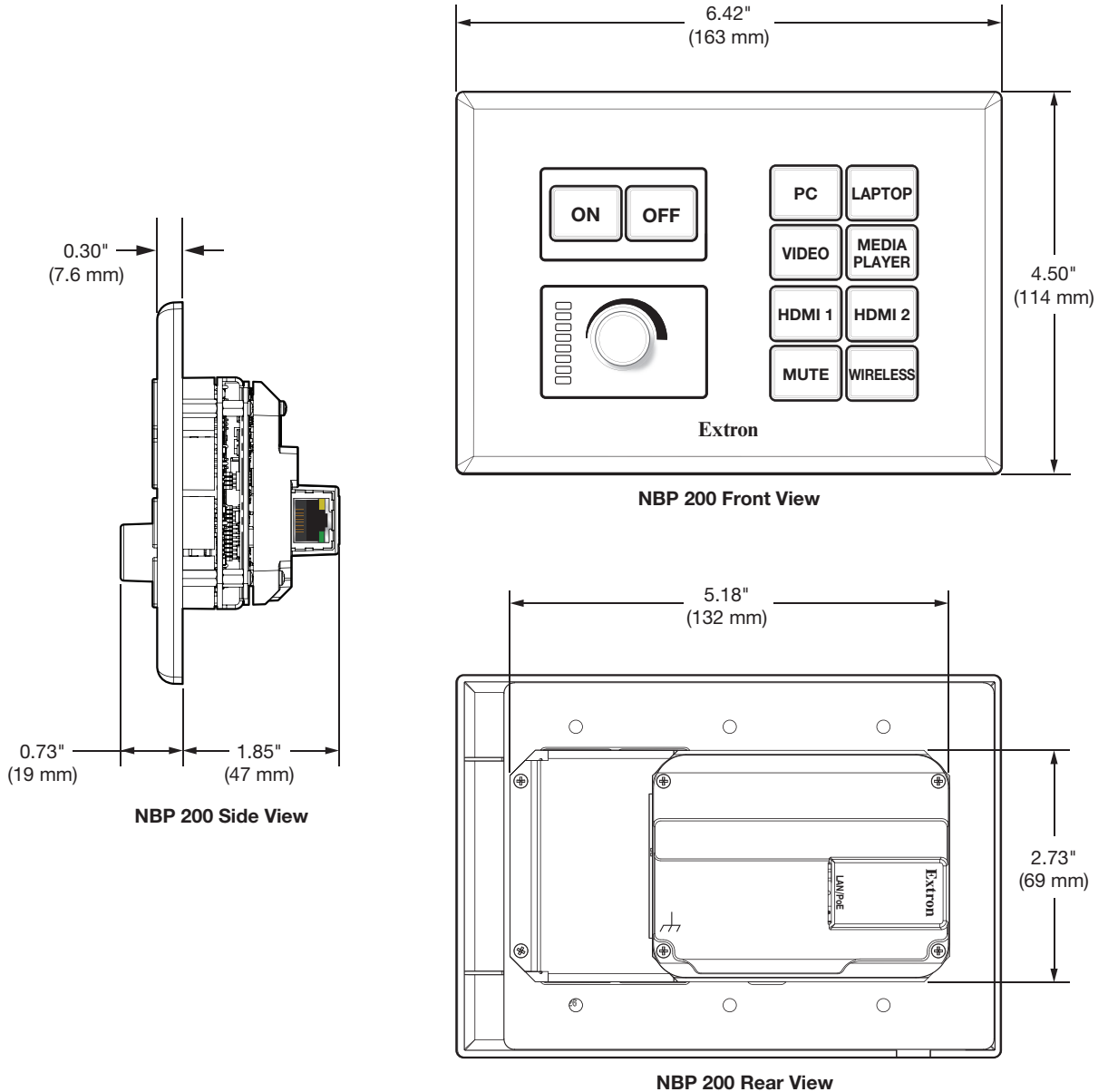


NBP 100 Rear View

Specifications • Network Button Panels (Continued)

NBP 200

Faceplate.....	4.50" H x 6.42" W x 0.30" D (114 mm H x 163 mm W x 7.6 mm D)
Device	2.73" H x 5.18" W x 1.85" D (69 mm H x 132 mm W x 47 mm D) (Depth excludes faceplate, buttons, and knob. Fits most 3 gang US boxes or mud rings. Allow depth in the wall or furniture for device and cable clearance.)



Product weight

Decorator-style models.....	0.2 lbs (0.1 kg)
NBP 100	TBD lb (TBD kg)
NBP 200	TBD lb (TBD kg)

Specifications • Network Button Panels (Continued)

Regulatory compliance..... CE, C-Tick, c-UL, FCC Class A, ICES, UL, VCCI
Complies with the appropriate requirements of RoHS, WEEE, and
Section 508 of the Rehabilitation Act (29 U.S.C. 794d).

Product warranty 3 years parts and labor

NOTE: All nominal levels are at $\pm 10\%$.

NOTE: Specifications are subject to change without notice.

NOTE: Shipping weights and dimensions are available at www.extron.com.

4509-D2-120718