

# Specifications

## MAAP 201/202 EU, MAAP 201 EUC

### General

#### Mounting

MAAP 201/202 EU ..... Mounts to standard EU junction boxes with 60 mm mounting centers.

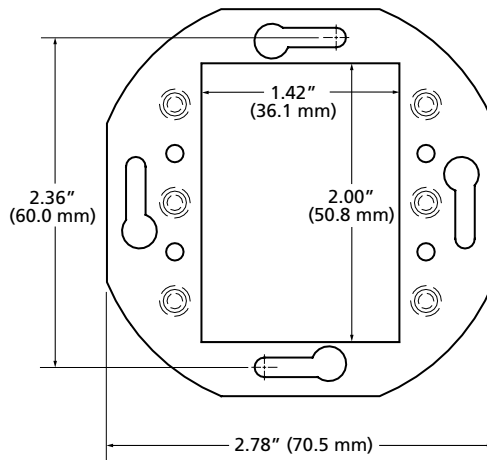
MAAP 201 EUC ..... Mounts to most EuroChannel systems with 80 mm wide openings.

Enclosure type ..... Metal adapter plate or bracket with plastic cover frame

Adapter plate — 1 per MAAP 201 EU, 2 per MAAP 202 EU

Outer/overall ..... 2.78" H x 2.78" W x 0.05" D  
(70.5 mm H x 70.5 mm W x 1.1 mm D)

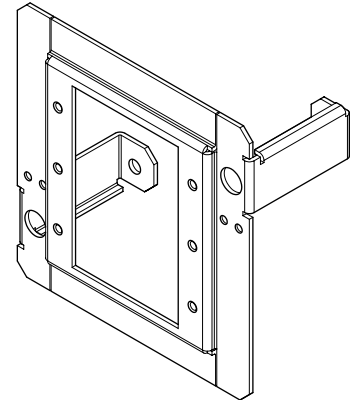
Inner ..... 2.00" H x 1.42" W (50.8 mm H x 36.1 mm W), which accommodates a three-space Extron MAAP



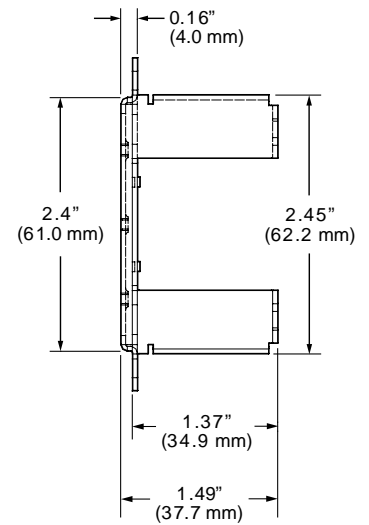
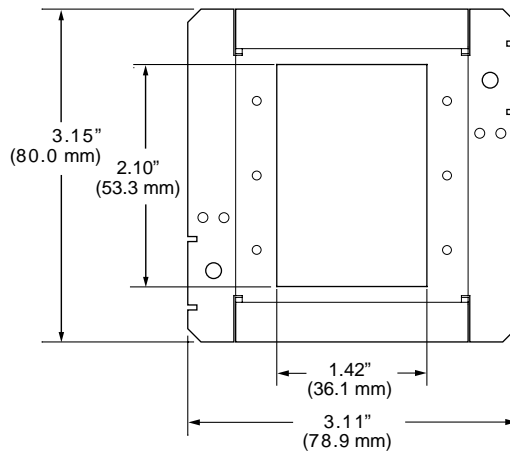
Adapter Plate

MAAP 201 EUC adapter bracket

Outer/overall.....	3.15" H x 3.11" W x 1.49" D (80.0 mm H x 78.9 mm W x 37.7 mm D)
Inner.....	2.10" H x 1.42" W (53.3 mm H x 36.1 mm W)



Isometric View

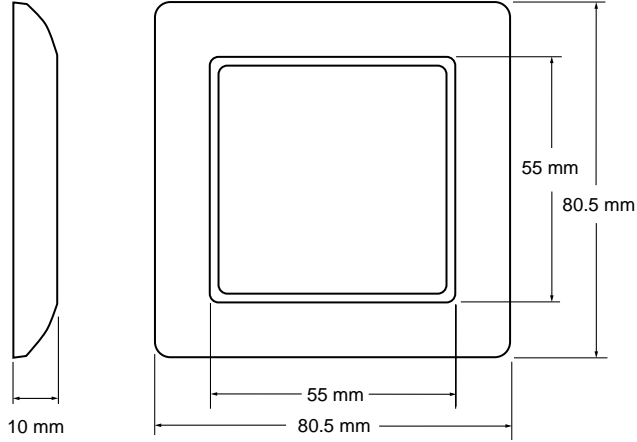


Side View

MAAP 201 EUC Adapter Bracket

MAAP 201 EU/EUC cover frame (single EU gang)

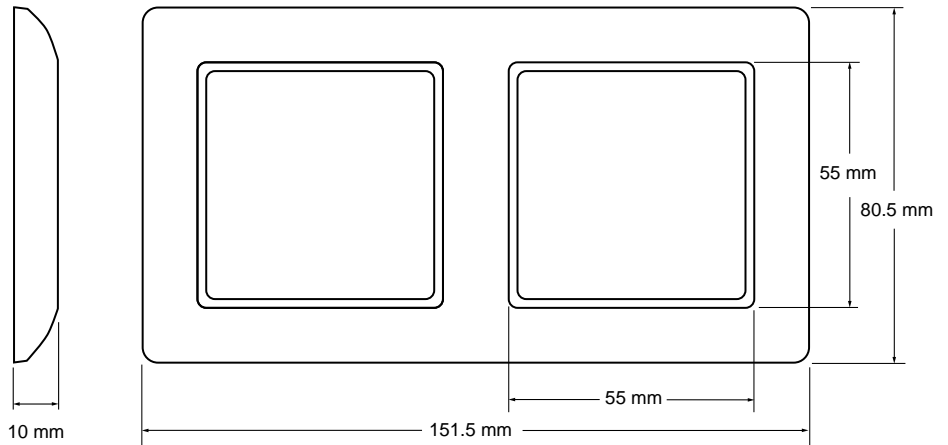
Outer/overall .....	3.17" H x 3.17" W x 0.39" D (80.5 mm H x 80.5 mm W x 10.0 mm D)
Inner .....	2.16" H x 2.16" W (55 mm H x 55 mm W)



**Single EU Gang Cover Frame**

MAAP 202 EU cover frame (double EU gang)

Outer/overall .....	3.17" H x 5.96" W x 0.39" D (80.5 mm H x 151.5 mm W x 10.0 mm D)
Inner .....	2.16" H x 2.16" W (55 mm H x 55 mm W) for each of two openings



**Double EU Gang Cover Frame**

Product weight

MAAP 201 EU .....	0.5 lbs (0.2 kg)
MAAP 201 EUC .....	0.6 lbs (0.3 kg)
MAAP 202 EU .....	0.6 lbs (0.3 kg)
Shipping weight .....	1 lbs (0.5 kg)
Vibration .....	ISTA 1A in carton (International Safe Transit Association)
Warranty .....	3 years parts and labor

**NOTE:** Specifications are subject to change without notice.

8.0-071612-D4