

Specifications

LPVM-1

General

Mounting

Wall mount..... Yes

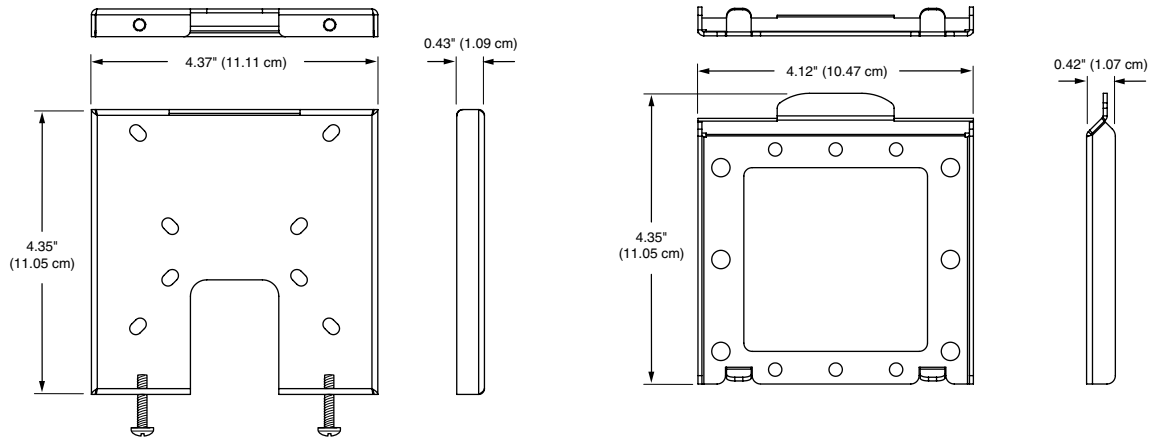
Maximum load capacity

VESA B mounting 20 x 50 mm: 4 lbs (2.0 kg)

VESA D or direct wall mounting 75 x 75 mm: 30.8 lbs (14.0 kg)

Material Steel

Enclosure dimensions 4.4" H x 4.4" W x 0.4" D
(11.1 cm H x 11.1 cm W x 1.1 cm D)
(Height excludes bottom bolts.)



Wall mounting holes 6

Product weight..... 0.6 lb (0.3 kg)

Shipping weight..... 2 lbs (1 kg)

Vibration ISTA 1A in carton (International Safe Transit Association)

Regulatory compliance

Safety CE

Warranty..... 3 years parts and labor

NOTE: Specifications are subject to change without notice.

8.0-060710-D1