

Specifications

HDMI Micro Series Cable

Performance/electrical

Standards

1.5 feet (0.5 m), 3 feet (0.9 m)..	High speed HDMI® cable
6 feet (1.8 m)	Standard speed HDMI cable

Resolution range

1.5 feet (0.5 m), 3 feet (0.9 m)..	Up to 4K @ 30 Hz (4096x2160) or UHD @ 30 Hz (3840x2160) 8 bit color depth, max. 10.2 Gbps data rate
6 feet (1.8 m)	Up to 1080p @ 60 Hz 8 bit color depth, max. 4.95 Gbps data rate

Voltage..... 30 V

Pair impedance..... 100 ohms ±10 ohms

Attenuation At 0.3 - 0.825 GHz: 5 dB per 2 m
At 0.825 - 2.475 GHz: 5-12 dB per 2 m
At 2.475 - 4.125 GHz: 12-20 dB per 2 m
At 4.125 - 5.100 GHz: 20-25 dB per 2 m

Skew

Intrapair	112 ps per 2 m
Interpair	1780 ps per 2 m

Connector

Connector type.....	1 male type A HDMI to 1 male type A HDMI
Contacts	Gold plated
Connector dimensions	1.40" L* x 0.78" W x 0.44" thick (35.0 mm L* x 20.0 mm W x 11.0 mm thick) *Length includes plug.

General – physical characteristics

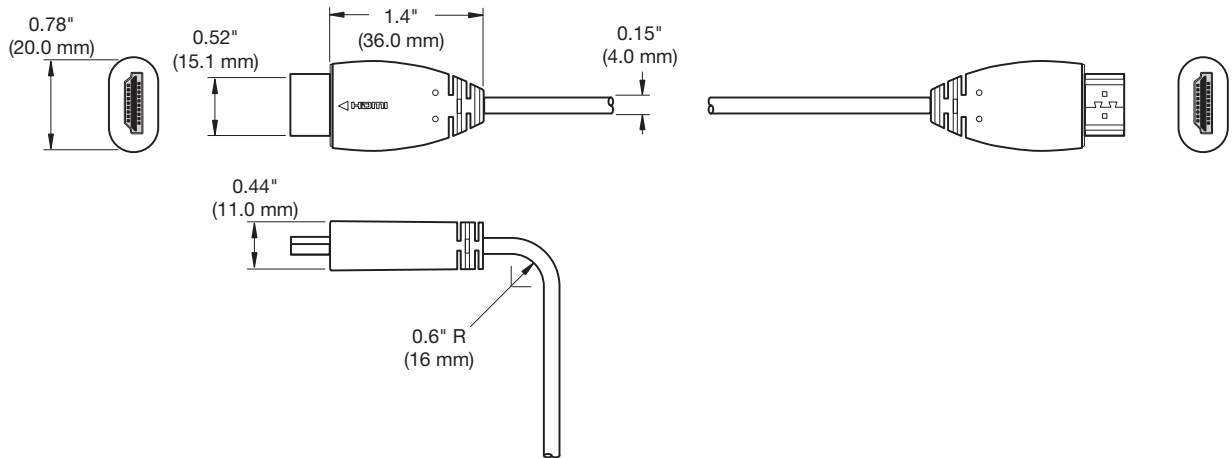
Material

Conductor	Silver coated, tinned copper
Drain	Silver coated, tinned copper
Shielding	Binder: aluminum and Mylar tape Spiral: tinned copper
Jacket	PVC
Conductor guage.....	36 AWG
Drain guage	36 AWG twisted pair

Dimensions

Cable outer diameter..... 0.15" (4.0 mm)
Bend radius..... 0.60 (16 mm)

HDMI Micro Series
Available in Lengths of 1.5' (0.5 m), 3' (0.9 m), and 6' (1.8 m)



NOTE: Dimensions given above exclude the cable length.

Regulatory compliance

Safety..... UL VW-1, CSA FT-1
Temperature rating..... 80 °C

NOTE: Specifications are subject to change without notice.

8.1-101414-D8