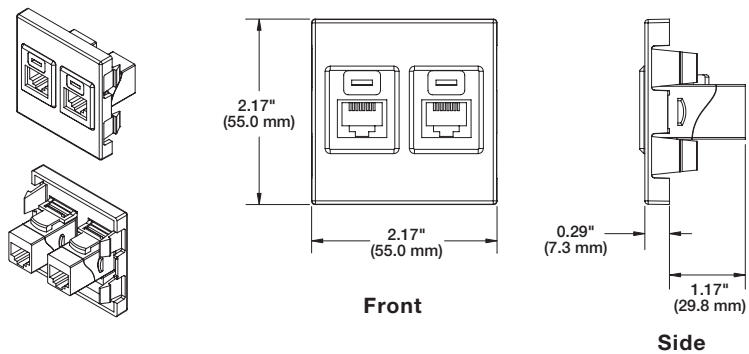


Specifications

Flex55 Series – RJ-45 Plate

General

Connectors	Two RJ-45 Female to Female barrels – CAT 5e
Mounting	Mounts to Flex55 frames and enclosures.
Faceplate dimensions	2.17" H x 2.17" W x 0.29" D (55.0 mm H x 55.0 mm W x 7.3 mm D) Allow appropriate depth for cable management.



Material	High-impact plastic blend
Product weight	0.06 lb (0.03 kg)
Vibration	ISTA 1A in carton (International Safe Transit Association)
Regulatory compliance	
Safety	CE
Environmental	Complies with the appropriate requirements of RoHS, WEEE
Warranty	3 years parts and labor

NOTE: Specifications are subject to change without notice.

NOTE: Shipping dimensions and weights are available at www.extron.com.

8.1-072216-D1