

Specifications

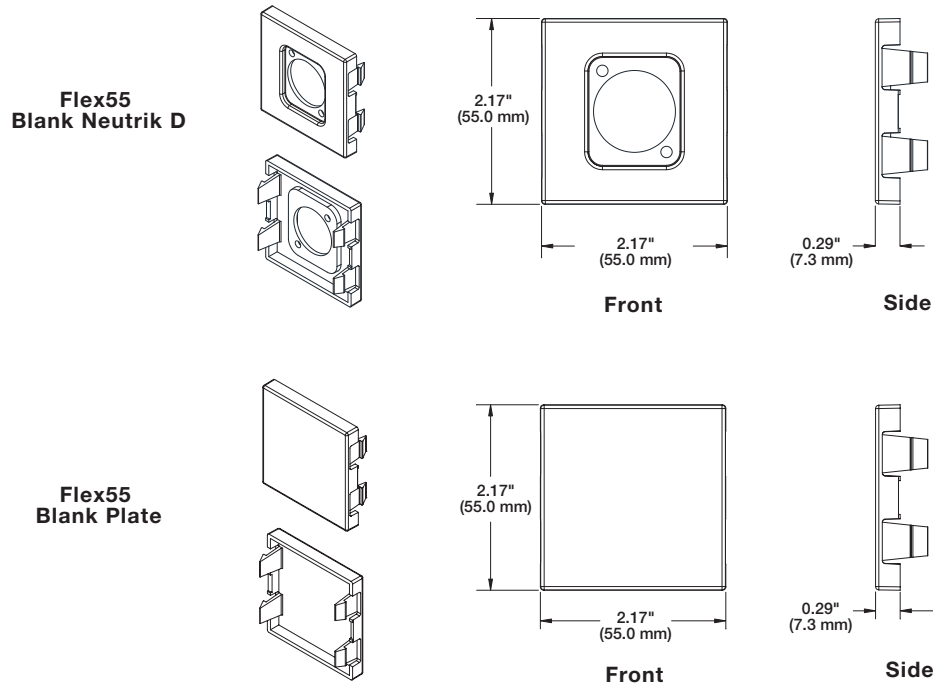
Flex55 Series – Blank Plates

General

Mounting Mounts to Flex55 frames and enclosures.

NOTE: Connector mounting screws are included for the Blank Neutrik D Plate.

Faceplate dimensions 2.17" H x 2.17" W x 0.29" D
 (55.0 mm H x 55.0 mm W x 7.3 mm D)
 Allow appropriate depth for cable management.



Material..... High-impact plastic blend

Product weight

Blank Neutrik D Plate..... 0.02 lb (0.01 kg)

Blank Plate 0.02 lb (0.01 kg)

Vibration ISTA 1A in carton (International Safe Transit Association)

Regulatory compliance

Safety..... CE

Environmental..... Complies with the appropriate requirements of RoHS, WEEE

Warranty 3 years parts and labor

NOTE: Specifications are subject to change without notice.

NOTE: Shipping dimensions and weights are available at www.extron.com.

8.1-072216-D1