

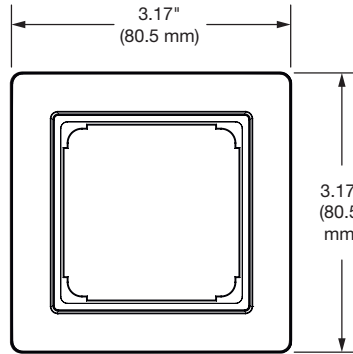
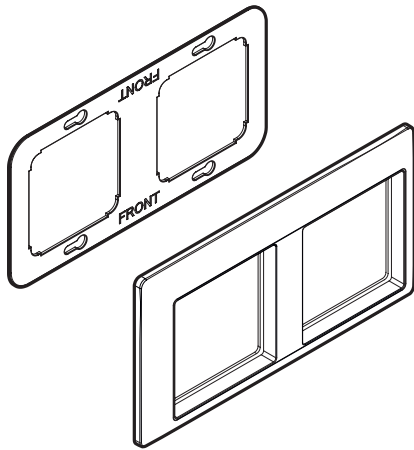
Specifications

Flex55 100 Mounting Kit Series

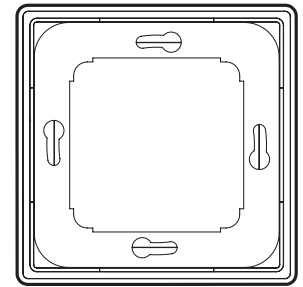
General

Mounting	Mounts to Extron Flex55 enclosures and EU junction boxes. Accommodates Extron Flex55 modules and active EU modules.
Materials	Metal mounting bracket, high impact plastic frame
Dimensions	
Frame	
Flex55 101.....	3.2" H x 3.2" W x 0.4" D (1 gang) (80.5 mm H x 80.5 mm W x 10.1 mm D)
Flex55 102.....	3.2" H x 6.0" W x 0.4" D (2 gang) (80.5 mm H x 151.5 mm W x 10.1 mm D)
Flex55 103.....	3.2" H x 8.8" W x 0.4" D (3 gang) (80.5 mm H x 222.5 mm W x 10.1 mm D)
Flex55 104.....	3.2" H x 11.6" W x 0.4" D (4 gang) (80.5 mm H x 293.5 mm W x 10.1 mm D)

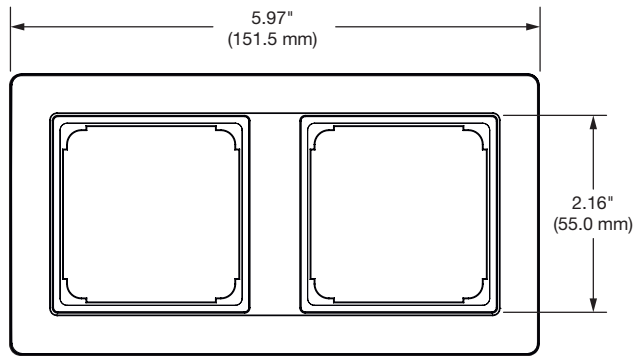
Flex55 100 Mounting Kit Series



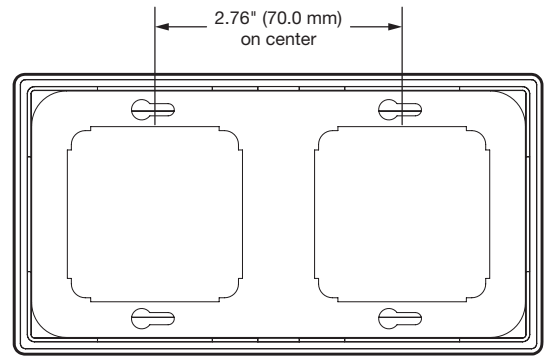
Flex55 101 Front



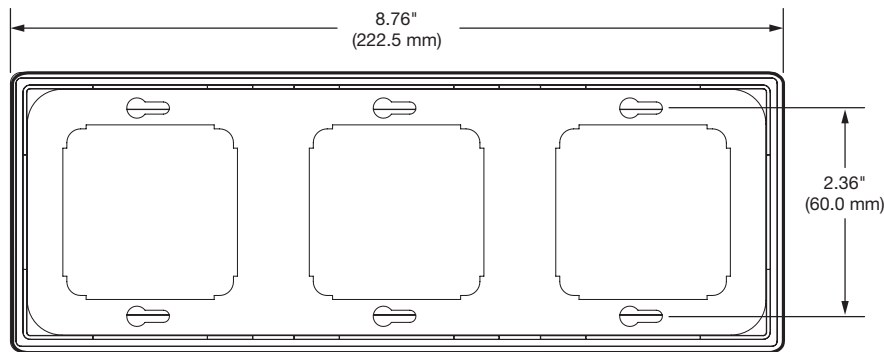
Flex55 101 Rear



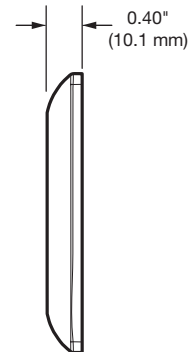
Flex55 102 Front



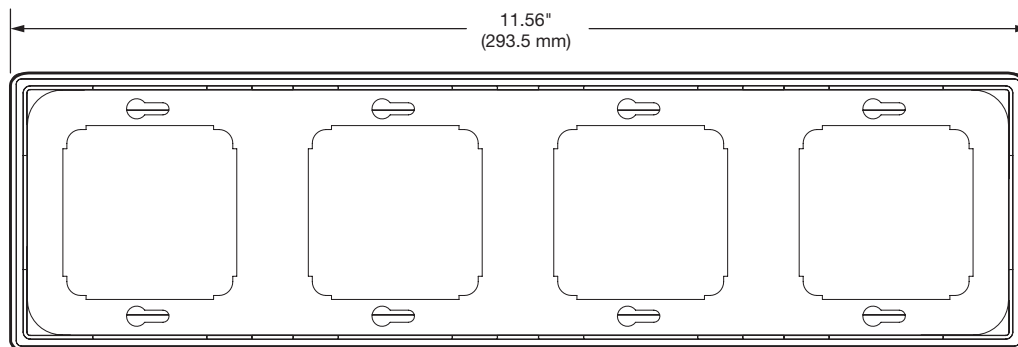
Flex55 102 Rear



Flex55 103 Rear



Side



Flex55 104 Rear

Product weight

Flex55 101	0.1 lbs (0.1 kg)
Flex55 102	0.2 lbs (0.1 kg)
Flex55 103	0.3 lbs (0.2 kg)
Flex55 104	0.4 lbs (0.2 kg)

Regulatory compliance

Safety	CE
Environmental.....	Complies with the appropriate requirements of RoHS, WEEE.

Warranty 3 years parts and labor

NOTE: Specifications are subject to change without notice.

NOTE: Shipping weights and dimensions are available at www.extron.com.

8.1-072116-D1