

Specifications — FCMP 44, FCMP 1010

General

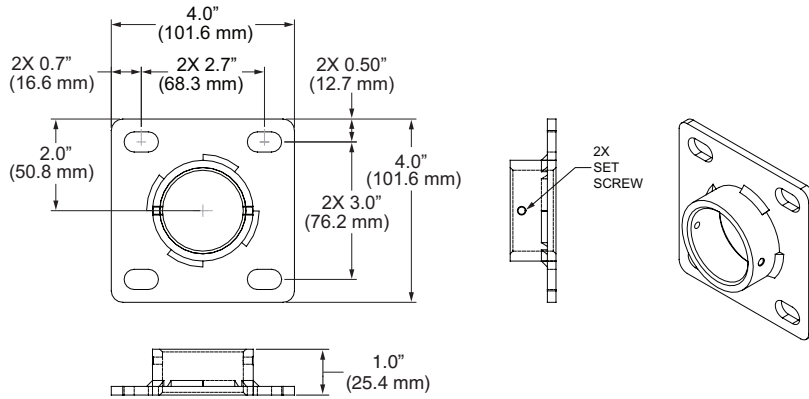
Mounting..... Flat surface mountable

Maximum load capacity..... 200 lbs.

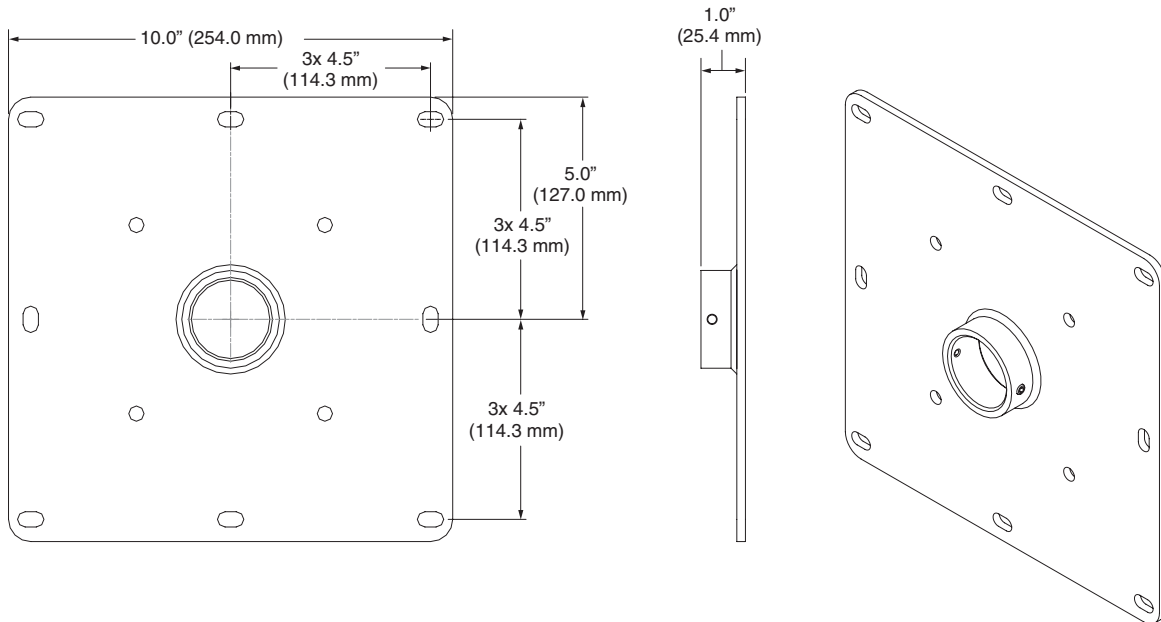
Material Steel

Dimensions

FCMP 44 0.7" H x 4.0" W x 4.0" D
 1.7 cm H x 10.2 cm W x 10.2 cm D



FCMP 1010 1.0" H x 10.0" W x 10.0" D
 2.5 cm H x 25.4 cm W x 25.4 cm D



NOTE The FCMP 44 and FCMP 1010 accept a 1.5" diameter (o.d.), 11.5 NPT/NPS extension column.

Product weight

FCMP 44 0.8 lbs (0.4 kg)

FCMP 1010 5.1 lbs (2.3 kg)

Shipping weight

FCMP 44 2 lbs (0.5 kg)

FCMP 1010 3 lbs (3 kg)

Vibration ISTA 1A in carton (International Safe Transit Association)
Listings..... UL, CUL
Compliances..... CE, OSHPD anchorage pre-approval
Warranty 3 years parts and labor

NOTE *Specifications are subject to change without notice.*

(7.52-101907-D1)