

Specifications

EBP 108 MK

eBUS control interface

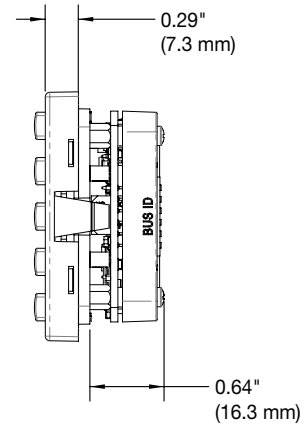
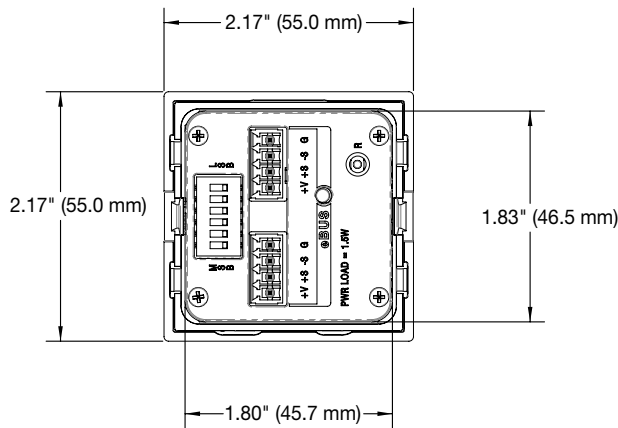
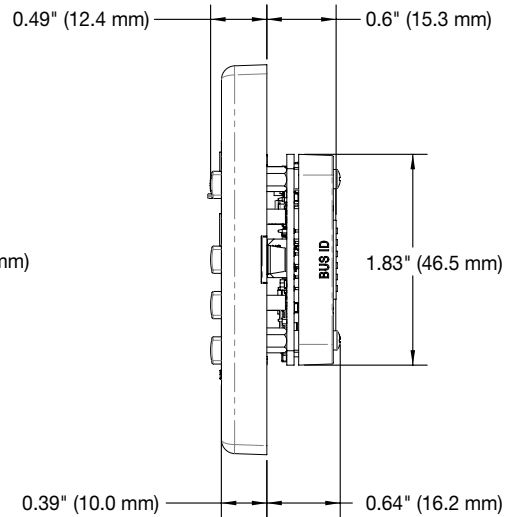
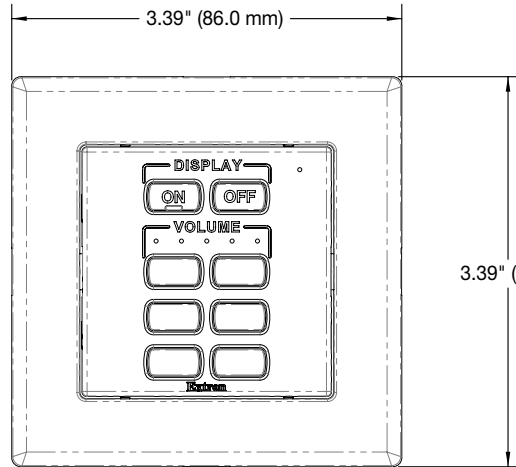
| | |
|----------------------------------|--|
| eBUS control ports | (2) 3.5 mm captive screw connectors, 4 pole |
| eBUS pin configuration | +V = +12 VDC; +S = + signal; -S = - signal; G = ground |
| Recommended cable type..... | Extron STP20-2/1000 or STP20-2P/1000 cable |
| Maximum system cable length..... | 1000 feet (305 meters) sum total for the eBUS system, regardless of topology. Power injection may be required depending on system cabling topology and primary power supply wattage. See the <i>eBUS® Button Panel EU and MK Series Setup Guide</i> or <i>eBUS Technology Reference Guide</i> for details. |

Software and control options

| | |
|------------------------------|---|
| Configuration software | Global Configurator Plus and Professional |
| Programming software..... | Global Scripter |
| Control apps..... | Extron Control |
| Utilities | Toolbelt |

General

| | |
|------------------------------|--|
| Power | 12 VDC (Power is supplied by an Extron IPCP Pro series control processor or optional power supply) |
| Power consumption..... | 1.5 W |
| Temperature/humidity | Storage: -40 to +158 °F (-40 to +70 °C) / 10% to 90%, noncondensing Operating: +32 to +122 °F (0 to +50 °C) / 10% to 90%, noncondensing |
| Cooling | Convection, no vents |
| Thermal dissipation..... | 4.2 BTU/hr |
| Mounting | |
| Rack mount..... | No |
| Furniture or wall mount..... | Yes, mounts into one-gang MK boxes and enclosures for use in the UK, Middle East, Singapore and other regions using MK-type enclosure. |
| Enclosure type | Plastic faceplate and high-impact plastic rear enclosure |
| Enclosure dimensions | |
| Faceplate | 3.4" H x 3.4" W x 0.4" D (8.6 cm H x 8.6 cm W x 1.0 cm D) (Depth includes faceplate and buttons.) |
| Device..... | 1.8" H x 1.8" W x 1.1" D (4.7 cm H x 4.6 cm W x 2.9 cm D) 1.8" H x 1.8" W x 1.6" D (4.7 cm H x 4.6 cm W x 4.0 cm D) including captive screw connectors (Depth includes faceplate and buttons. Allow at least 1.16" [2.95 cm] depth in the wall or furniture for cables.) |



| | |
|-----------------------|---|
| Product weight | 0.2 lb (0.1 kg) |
| Vibration | ISTA 1A in carton (International Safe Transit Association) |
| Regulatory compliance | |
| Safety | CE, c-UL, UL |
| EMI/EMC | CE, C-Tick, FCC Class A, ICES, VCCI class A |
| Environmental | Complies with the appropriate requirements of RoHS, WEEE |
| Accessibility | Complies with the appropriate requirements of Section 508 of the Rehabilitation Act (29 U.S.C. 794d). |
| Warranty | 3 years parts and labor |

NOTE: All nominal levels are at $\pm 10\%$.

NOTE: Specifications are subject to change without notice.

NOTE: Shipping weights and dimensions are available at www.extron.com.

8.1-110816-D3