

Specifications

EBP 106 MK

eBUS control interface

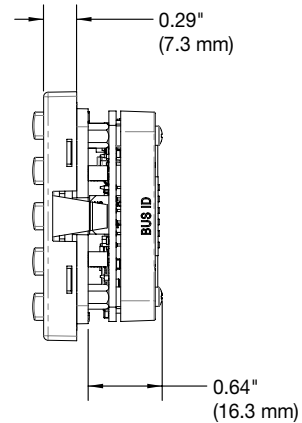
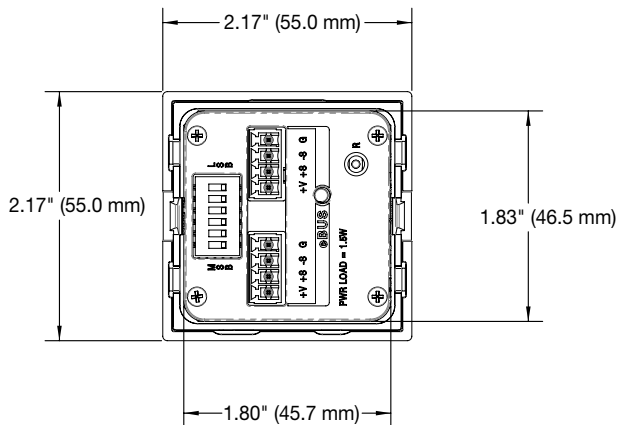
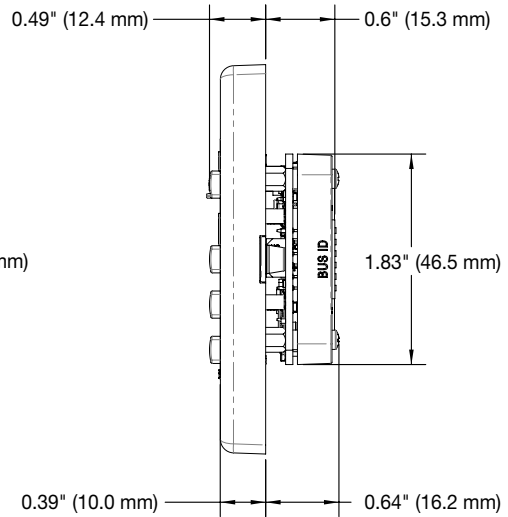
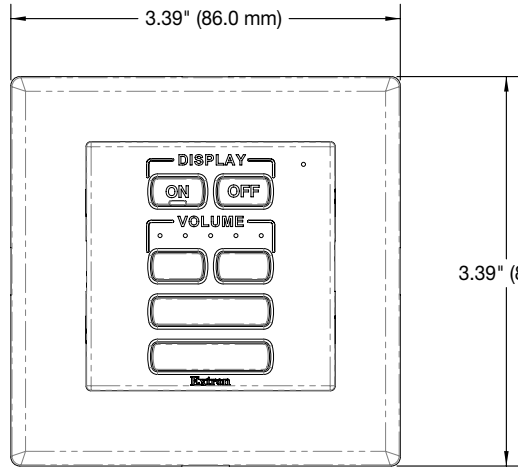
eBUS control ports	(2) 3.5 mm captive screw connectors, 4 pole
eBUS pin configuration	+V = +12 VDC; +S = + signal; -S = - signal; G = ground
Recommended cable type.....	Extron STP20-2/1000 or STP20-2P/1000 cable
Maximum system cable length.....	1000 feet (305 meters) sum total for the eBUS system, regardless of topology. Power injection may be required depending on system cabling topology and primary power supply wattage. See the <i>eBUS® Button Panel EU and MK Series Setup Guide</i> or <i>eBUS Technology Reference Guide</i> for details.

Software and control options

Configuration software	Global Configurator Plus and Professional
Programming software.....	Global Scripter
Control apps.....	Extron Control
Utilities	Toolbelt

General

Power	12 VDC (Power is supplied by an Extron IPCP Pro series control processor or optional power supply)
Power consumption.....	1.5 W
Temperature/humidity	Storage: -40 to +158 °F (-40 to +70 °C) / 10% to 90%, noncondensing Operating: +32 to +122 °F (0 to +50 °C) / 10% to 90%, noncondensing
Cooling	Convection, no vents
Thermal dissipation	4.9 BTU/hr
Mounting	
Rack mount.....	No
Furniture or wall mount.....	Yes, mounts into one-gang MK boxes and enclosures for use in the UK, Middle East, Singapore and other regions using MK-type enclosure.
Enclosure type	Plastic faceplate and high-impact plastic rear enclosure
Enclosure dimensions	
Faceplate	3.4" H x 3.4" W x 0.5" D (8.6 cm H x 8.6 cm W x 1.2 cm D) (Depth includes faceplate and buttons.)
Device	2.2" H x 2.2" W x 1.1" D (5.5 cm H x 5.5 cm W x 2.9 cm D) 2.2" H x 2.2" W x 1.6" D (5.5 cm H x 5.5 cm W x 4.0 cm D) including captive screw connectors (Depth includes faceplate and buttons. Allow at least 1.16" [2.95 cm] depth in the wall or furniture for cables.)



Product weight	0.2 lb (0.1 kg)
Vibration	ISTA 1A in carton (International Safe Transit Association)
Regulatory compliance	
Safety	CE, c-UL, UL
EMI/EMC	CE, C-Tick, FCC Class A, ICES, VCCI class A
Environmental	Complies with the appropriate requirements of RoHS, WEEE
Accessibility	Complies with the appropriate requirements of Section 508 of the Rehabilitation Act (29 U.S.C. 794d).
Warranty	3 years parts and labor

NOTE: All nominal levels are at $\pm 10\%$.

NOTE: Specifications are subject to change without notice.

NOTE: Shipping weights and dimensions are available at www.extron.com.

8.1-112116-D7