

# Specifications

## EBP 106P D

### eBUS control interface

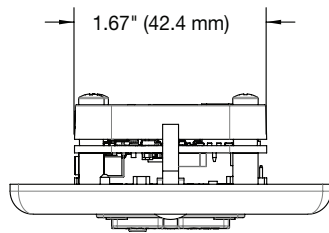
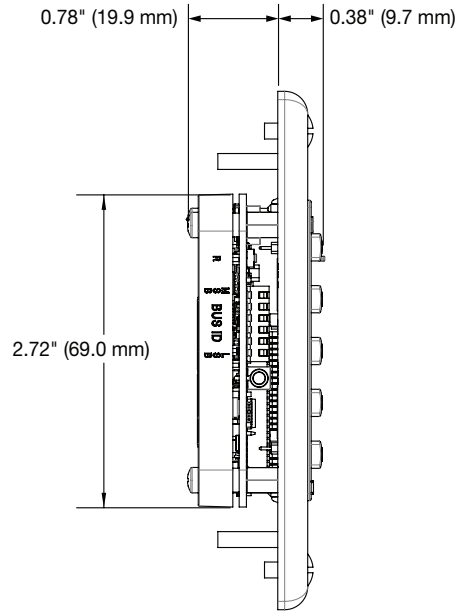
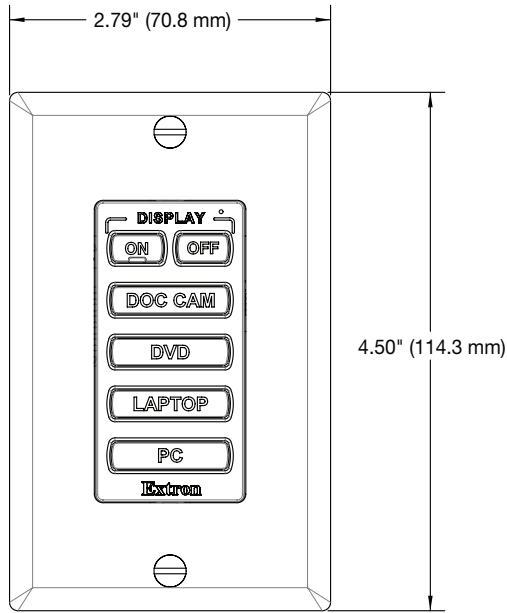
eBUS control ports .....	(2) 3.5 mm captive screw connectors, 4 pole
eBUS pin configuration .....	+V = +12 VDC; +S = + signal; -S = - signal; G = ground
Recommended cable type.....	Extron STP20-2/1000 or STP20-2P/1000 cable
Maximum system cable length.....	1000 feet (305 meters) sum total for the eBUS system, regardless of topology. Power injection may be required depending on system cabling topology and primary power supply wattage. See the <i>EBP Decorator-Style Setup Guide</i> or <i>eBUS Technology Reference Guide</i> for details.

### Software and control options

Configuration software .....	Global Configurator Plus and Professional
Programming software.....	Global Scripter
Control apps.....	Extron Control
Utilities .....	Toolbelt

### General

Power .....	12 VDC (Power is supplied by an Extron IPCP Pro series control processor or optional power supply).
Power consumption.....	1.5 W
Temperature/humidity .....	Storage: -40 to +158 °F (-40 to +70 °C) / 10% to 90%, noncondensing Operating: +32 to +122 °F (0 to +50 °C) / 10% to 90%, noncondensing
Cooling .....	Convection, no vents
Thermal dissipation .....	4.4 BTU/hr
Mounting	
Rack mount.....	No
Furniture or wall mount.....	Yes, in a standard US 1-gang electrical junction box or mud ring.
Enclosure type .....	Plastic faceplate and high-impact plastic rear enclosure
Enclosure dimensions	
Faceplate .....	4.5" H x 2.8" W x 0.4" D (11.4 cm H x 7.1 cm W x 1.0 cm D) (Depth includes faceplate and buttons.)
Device .....	2.7" H x 1.7" W x 0.8" D (6.9 cm H x 4.2 cm W x 2.1 cm D) 2.7" H x 1.7" W x 1.25" D (6.9 cm H x 4.2 cm W x 3.2 cm D) including captive screw connectors (Depth includes faceplate and buttons. Allow at least 1.35" [3.43 cm] depth in the wall or furniture for cables.)



Product weight .....	0.2 lb (0.1 kg)
Vibration .....	ISTA 1A in carton (International Safe Transit Association)
Regulatory compliance	
Safety .....	CE, c-UL, UL
EMI/EMC .....	CE, C-Tick, FCC Class A, ICES, VCCI class A
Environmental .....	Complies with the appropriate requirements of RoHS, WEEE
Accessibility .....	Complies with the appropriate requirements of Section 508 of the Rehabilitation Act (29 U.S.C. 794d).
Warranty .....	3 years parts and labor

**NOTE:** All nominal levels are at  $\pm 10\%$ .

**NOTE:** Specifications are subject to change without notice.

**NOTE:** Shipping weights and dimensions are available at [www.extron.com](http://www.extron.com).

8.1-040717-D3