

# Specifications

## Cable Cubby® Series

### General

**NOTE:** The Universal AC outlet is fully compatible with Europlug, British, Indian, Danish, and Italian plug types. See the Universal AC outlet guide on the Extron Web site, [www.extron.com](http://www.extron.com), for compatibility details on all plug types.

**NOTE:** Architectural Adapter Plates (AAPs) are shown in diagrams and in photographs as examples only. AAPs are optional accessories for the Cable Cubby products. AAPs and cables must be ordered separately.

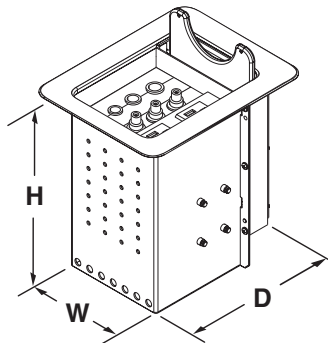
#### Mounting

- Furniture mount ..... Yes
- Min./max. table thickness..... 0.375" to 3.00" (0.95 cm to 7.62 cm)
- Enclosure type..... Metal
- Enclosure dimensions

**CAUTION:** Use the appropriate metal Extron routing template or refer to the surface cutout dimensions here before cutting a hole in the furniture or other surface. Pay special attention to the direction the unit will face; the unit's AAP and connector access side is underlined. Extron is not responsible for miscut mounting holes.

#### Cable Cubby 300S

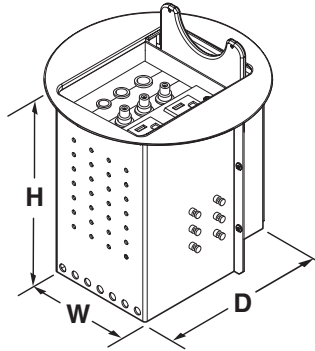
- Top plate (outer rim)..... 5.13" W x 6.47" D  
(13.0 cm W x 16.4 cm D)
- Surface cutout (inside rim).. 4.65 +0.00/-0.02" W x 6.00 +0.00/-0.02" D  
(11.81 +0.00/-0.05 cm W x 15.24 +0.00/-0.05 cm D)
- Box (under surface) ..... 6.41" H x 4.32" W x 4.75" D without clamps  
(16.28 cm H x 10.97 cm W x 12.07 cm D without clamps)  
8.07" W (20.49 cm W) with clamps



**Cable Cubby 300S**

Cable Cubby 300C

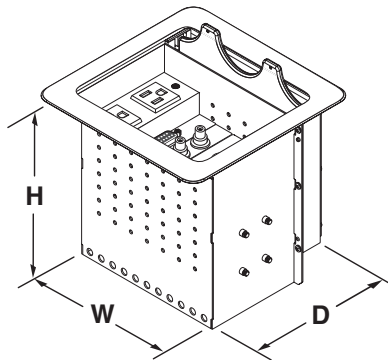
- Top plate (outer rim)..... 6.50" (16.51 cm) diameter circle
- Surface cutout (inside rim).. 6.03 +0.00/-0.02" (15.32 +0.00/-0.05 cm) diameter circle
- Box (under surface) ..... 6.41" H x 4.32" W x 4.75" D without clamps  
(16.28 cm H x 10.97 cm W x 12.07 cm D without clamps)  
8.07" W (20.49 cm W) with clamps



**Cable Cubby 300C**

Cable Cubby 600

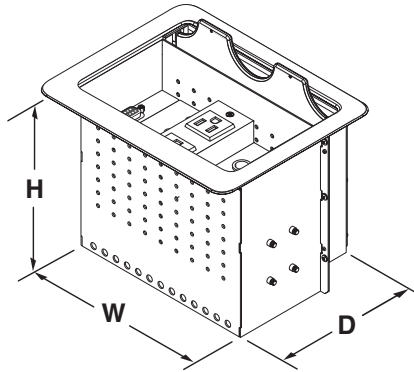
- Top plate (outer rim)..... 6.96" W x 6.96" D (17.68 cm W x 17.68 cm D)
- Surface cutout (inside rim).. 6.49 +0.00/-0.02" W x 6.49 +0.00/-0.02" D  
(16.48 +0.00/-0.05 cm W x 16.48 +0.00/-0.05 cm D)
- Box (under surface) ..... 6.41" H x 6.40" W x 4.75" D without clamps  
(16.28 cm H x 16.26 cm W x 12.07 cm D without clamps)  
10.15" W (25.79 cm W) with clamps



**Cable Cubby 600**

Cable Cubby 800

Top plate (outer rim).....	8.36" W x 6.82" D (21.23 cm W x 17.32 cm D)
Surface cutout (inside rim)..	7.89 +0.00/-0.02" W x 6.35 +0.00/-0.02" D (20.04 +0.00/-0.05 cm W x 16.13 +0.00/-0.05 cm D)
Box (under surface) .....	6.41" H x 7.80" W x 4.75" D without clamps (16.28 cm H x 19.81 cm W x 12.07 cm D without clamps) 11.57" W (29.39 cm W) with clamps



**Cable Cubby 800**

Cable AAP cable hole diameters

Large cable hole .....	0.63" (1.60 cm)
Large grommet.....	0.45" (1.14 cm)
Medium cable hole .....	0.56" (1.42 cm)
Medium grommet.....	0.39" (0.99 cm)
Small cable hole.....	0.50" (1.27 cm)
Small grommet .....	0.31" (0.79 cm)

Product weight

Cable Cubby 300S/300C .....	5.0 lbs (2.3 kg)
Cable Cubby 600.....	9.0 lbs (4.1 kg)
Cable Cubby 800.....	13.0 lbs (5.9 kg)

Shipping weight

Cable Cubby 300S.....	8 lbs (4 kg)
Cable Cubby 300C .....	8 lbs (4 kg)
Cable Cubby 600.....	12 lbs (6 kg)
Cable Cubby 800.....	15 lbs (7 kg)

Vibration ..... ISTA 1A in carton (International Safe Transit Association)

Regulatory compliance

Safety ..... CE, CSA C/US, c-UL, UL

Warranty..... 3 years parts and labor

**NOTE:** Specifications are subject to change without notice.

8.0-102810-D13