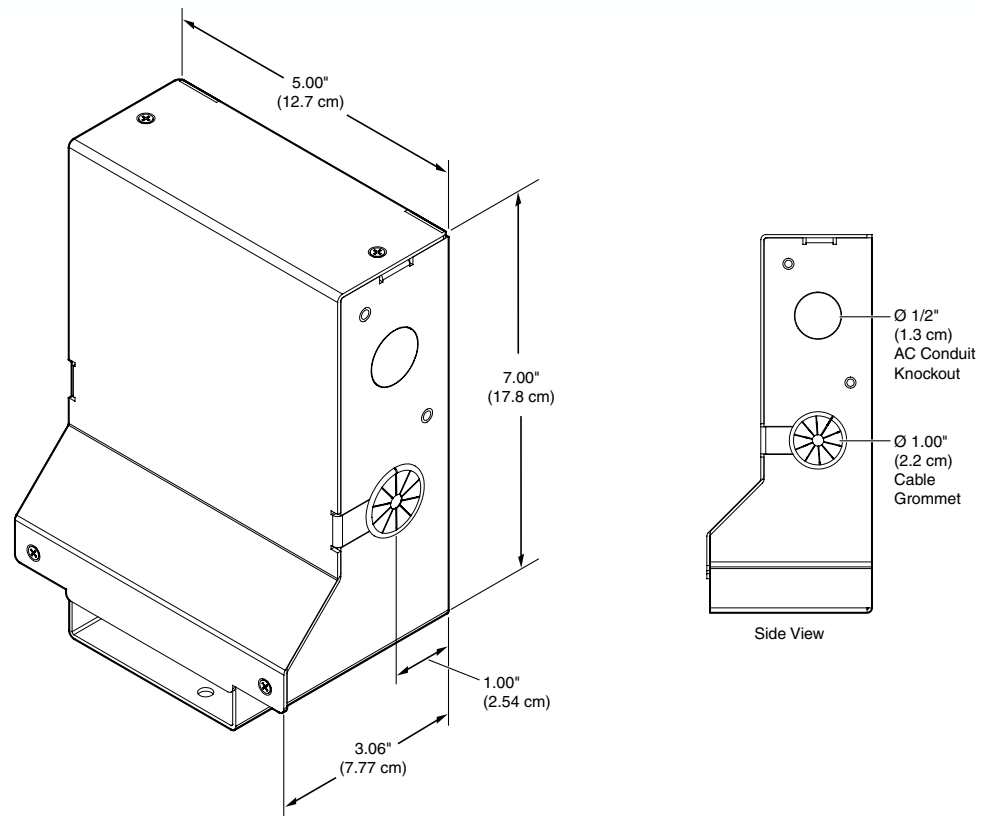


Specifications

AVTrac® Retrofit Transition Adapter

General

Mounting.....	Mountable to an AVTrac Raceway System nearest to a wall
Material	Steel
Enclosure dimensions	7.0" H x 5.0" W x 3.1" D (17.8 cm H x 12.7 cm W x 7.8 cm D)



Product weight.....	2.2 lbs (1.0 kg)
Shipping weight.....	3 lbs (2 kg)
Vibration.....	ISTA 1A in carton (International Safe Transit Association)
Regulatory compliance	

NOTE: This product is designed to meet the following agency standards.

Safety	NEC article 314, article 386, article 350, article 360
Accessibility	Title III, Regulation 28 CFR Part 36: ADA Standards for Accessible Design; Section 4.4
Warranty.....	3 years parts and labor

NOTE: Specifications are subject to change without notice.

8.0-100410-D3