

Specifications — AVTrac® Raceway Transition Adapters

General

Mounting..... Connects a floor mounted AVTrac system to a raceway system

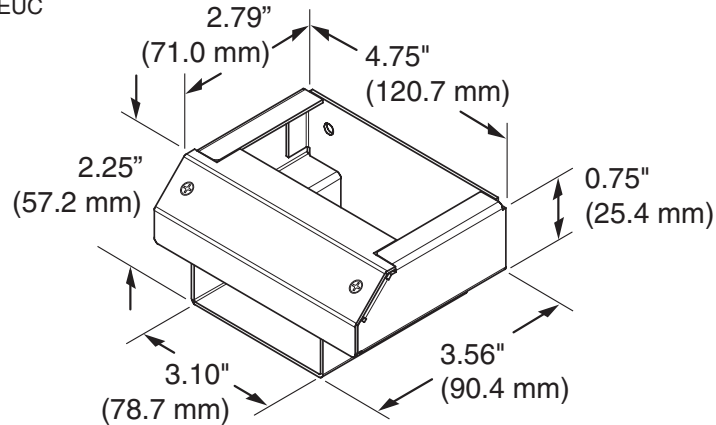
Material..... Steel

Enclosure dimensions

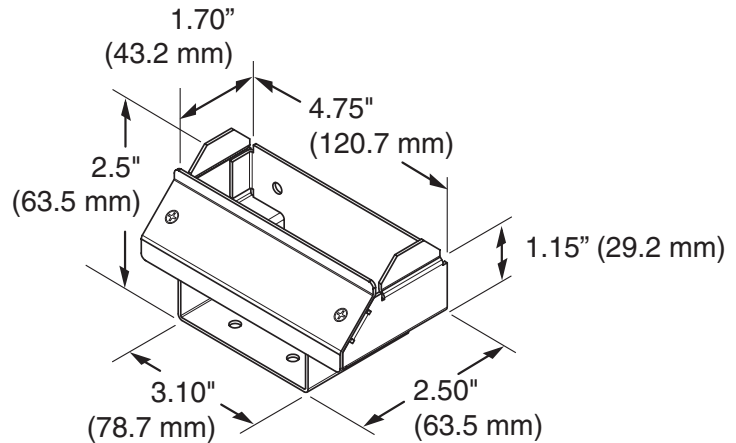
EUC model..... 2.25" H x 4.75" W x 3.6" D
(5.7 cm H x 12.1 cm W x 9.0 cm D)

WM model..... 2.5" H x 4.75" W x 2.5" D
(6.3 cm H x 12.1 cm W x 6.4 cm D)

AVTRAC INST TRANS 100EUC



AVTRAC INST TRANS 100WM



Product weight 0.2 lb (0.1 kg)

Shipping weight 1 lb (<1 kg)

Vibration..... ISTA 1A in carton (International Safe Transit Association)

Warranty..... 3 years parts and labor

NOTE Specifications are subject to change without notice.

7.6-043009-D1