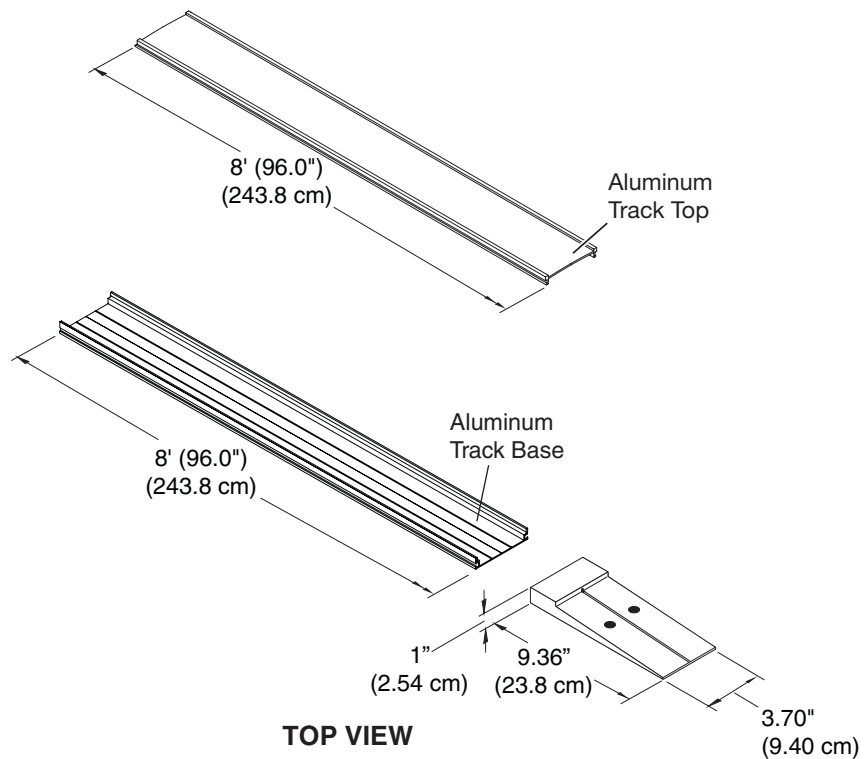


Specifications — AVTrac® Extra Channel Kit

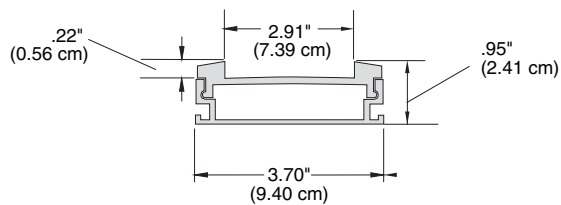
NOTE An AVTrac® System is required for use with the Extra Channel Kits.

General

Mounting.....	Mountable onto base flooring
Enclosure type.....	Metal track base and top, plastic end ramp
Enclosure dimensions: see diagrams below	
Base and top.....	1.0" H x 3.70" W x 96.0" L (2.4 cm H x 9.4 cm W x 243.8 cm L)
Ramp.....	1.0" H x 3.7" W x 9.4" L (2.5 cm H x 9.4 cm W x 23.9 cm L)



TOP VIEW



BACK VIEW of Track

Product weight.....	9.8 lbs (4.5 kg)
Shipping weight.....	12 lbs (6 kg)
Vibration.....	ISTA 1A in carton (International Safe Transit Association)
Warranty.....	3 years parts and labor

NOTE Specifications are subject to change without notice.

7.6-043009-D1