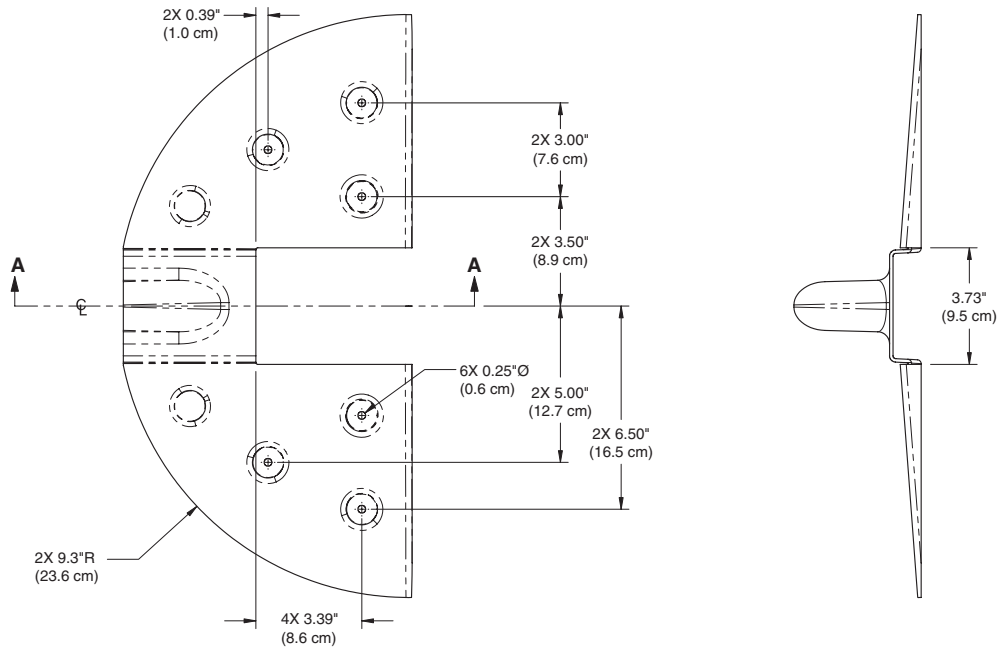
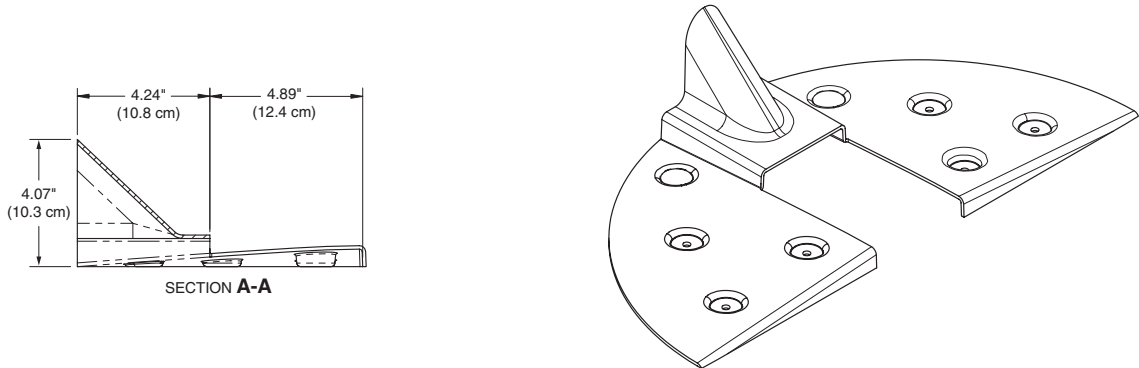


Specifications — AVTrac® Cable Pass-through Kit

General

- Mounting..... Mountable onto base flooring, connected to an AVTrac Raceway Track System
- Enclosure type Plastic
- Enclosure dimensions..... 4.1" H x 9.3" W x 9.3" D
(10.3 cm H x 23.6 cm W x 23.6 D)
See the diagram below.



- Product weight 1.0 lb (0.5 kg)
- Shipping weight 2 lbs (1 kg)
- Warranty 3 years parts and labor

NOTE Specifications are subject to change without notice.

7.6-101409-D1