

Specifications

AVTrac® 482 AC Power Modules

General

Power

US models 125 VAC, 50-60 Hz, 20 A (max.), unswitched

International models 220-240 VAC, 50-60 Hz, 5 A (max.), unswitched

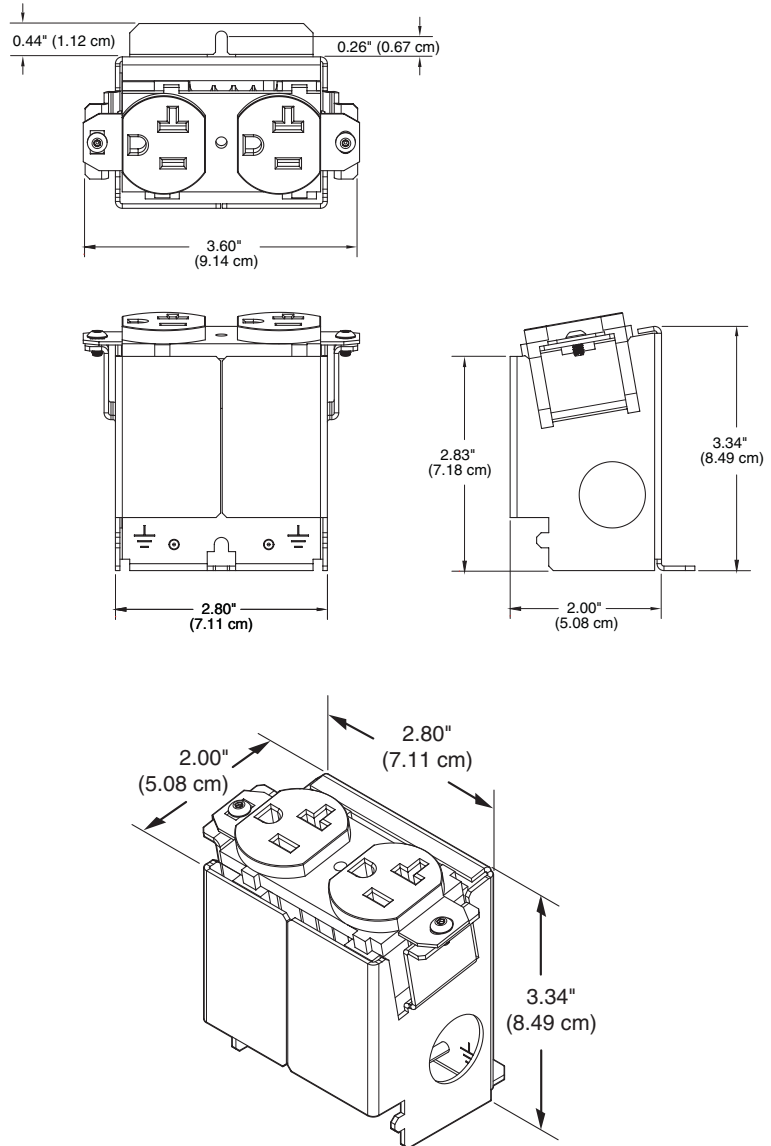
Temperature/humidity Storage: -40 to +158 °F (-40 to +70 °C) / 10% to 90%, noncondensing
 Operating: +32 to +122 °F (0 to +50 °C) / 10% to 90%, noncondensing

Mounting Mounts into an Extron AVTrac 482 AAP Enclosure

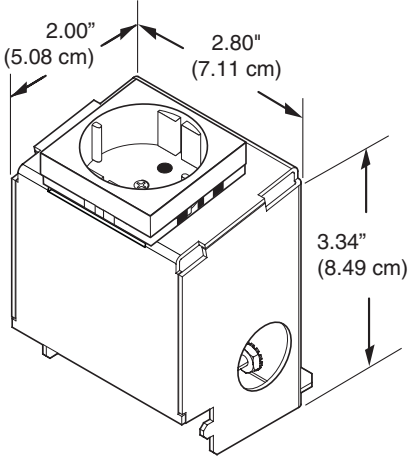
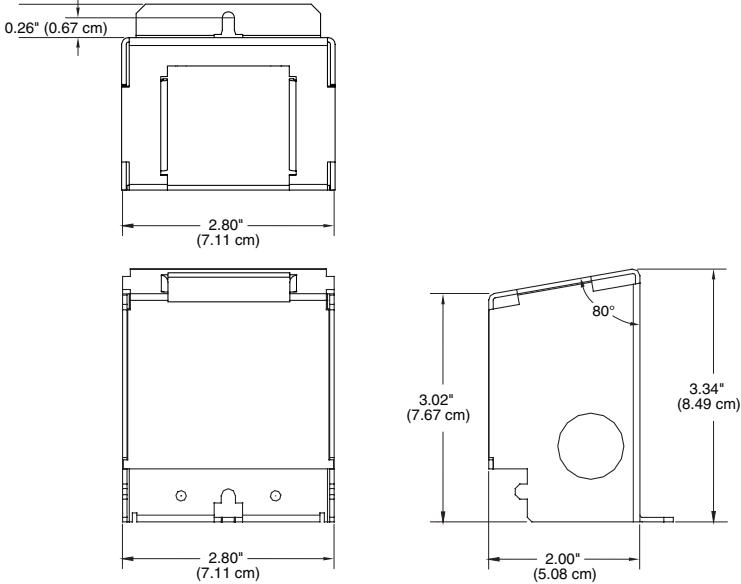
Enclosure type Metal

Enclosure dimensions 3.3" H x 2.8" W x 2.0" D
 (8.3 cm H x 7.1 cm W x 5.1 cm D)
 (Depth excludes bottom mounting tab. See the following diagrams.)

US models



International models



Product weight

- With prewired conduit..... 8.5 lbs (3.8 kg)
- With ISO cable..... 4.9 lbs (2.2 kg)
- With conduit only 6.7 lbs (3.0 kg)

Shipping weight

- With prewired conduit..... 9 lbs (5 kg)
- With ISO cable..... 5 lbs (3 kg)
- With conduit only 8 lbs (4 kg)

Vibration ISTA 1A in carton (International Safe Transit Association)

Regulatory compliance

- Safety US models: UL
International models: CE

Warranty 3 years parts and labor

NOTE: Specifications are subject to change without notice.