

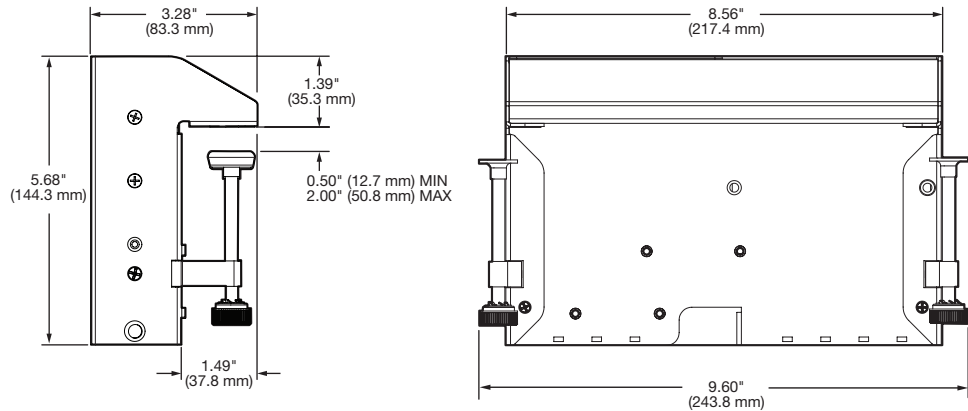
# Specifications

## AVEdge 100

### General

#### Mounting

Furniture mount .....	Yes, clamps to edge of furniture
Min./max. table thickness .....	0.50" to 2.00" (12.7 mm to 50.8 mm)
Enclosure type .....	Metal
Enclosure dimensions .....	5.68" H x 8.56" L x 3.28" W (144.3 mm H x 217.4 mm L x 83.3 mm W)



Product weight .....	2.6 lbs (1.2 kg)
Shipping weight .....	4 lbs (2 kg)
Vibration .....	ISTA 1A in carton (International Safe Transit Association)
Regulatory compliance	
Safety .....	UL, c-UL, CE
Environmental .....	Complies with the appropriate requirements of RoHS, WEEE
Warranty .....	3 years parts and labor

**NOTE:** Specifications are subject to change without notice.

8.1-071315-D1