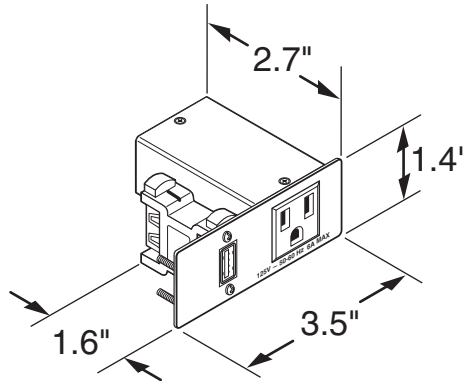


Specifications

AC USB AAP

General

Power	125 VAC, 50-60 Hz, 6 A max.
Temperature/humidity	Storage: -40 to +158 °F (-40 to +70 °C) / 10% to 90%, noncondensing Operating: +32 to +122 °F (0 to +50 °C) / 10% to 90%, noncondensing
Mounting	Rack or furniture mountable with optional AAP mounting frames
Enclosure type	Metal
Enclosure dimensions	
Faceplate	1.4" H x 3.5" W x 0.1" D (3.5 cm H x 8.9 cm W x 0.3 cm D) (double space AAP plate)
Enclosure	1.3" H x 1.5" W x 2.7" D (3.3 cm H x 3.8 cm W x 6.9 cm D) Allow at least 4.5" (11.4 cm) depth in the wall or furniture with the AC cord attached.



Product weight	0.2 lbs (0.1 kg)
Shipping weight	1 lbs (1 kg)
Vibration	ISTA 1A in carton (International Safe Transit Association)
Regulatory compliance	
Safety	UL, c-UL, CE
Environmental.....	Complies with the appropriate requirements of RoHS, WEEE
Warranty	3 years parts and labor

NOTE: Specifications are subject to change without notice.

8.1-090815-D5