

# XTP T FB 202

## TWO INPUT XTP TRANSMITTER FOR FLOOR BOXES



- ▶ Designed to mount in a variety of floor boxes
- ▶ Transmits HDMI or analog video, audio, bidirectional RS-232 and IR, and Ethernet up to 330 feet (100 m) over a shielded CATx cable
- ▶ HDMI and VGA inputs
- ▶ Supports computer and video resolutions up to 1920x1200, including 1080p/60 Deep Color and 2K
- ▶ Auto-switching between inputs
- ▶ Digital conversion of analog video formats
- ▶ Bidirectional RS-232 and IR insertion for AV device control
- ▶ HDCP compliant
- ▶ EDID Minder® automatically manages EDID communication between connected devices
- ▶ Key Minder® continuously verifies HDCP compliance for quick, reliable switching
- ▶ Ethernet extension
- ▶ Remote power capability
- ▶ Supports multiple embedded audio formats
- ▶ RS-232 control
- ▶ LED indicators for signal presence, HDCP, and power

The Extron XTP T FB 202 is a two-input transmitter that sends HDMI or VGA video, audio, control, and Ethernet up to 330 feet (100 m) over a shielded CATx cable. The XTP® transmitter is compatible with floor boxes from OBO Bettermann, MK by Honeywell, Electraplan, and PUK. Designed for XTP Systems®, the XTP T FB 202 enables long distance transmission of digital and analog source signals in space-challenged applications.



**Extron Electronics**  
INTERFACING, SWITCHING AND CONTROL

## DESCRIPTION

The Extron **XTP T FB 202** is a two-input transmitter that sends HDMI or VGA video, audio, control, and Ethernet up to 330 feet (100 meters) over a shielded CATx cable. It is compatible with floor boxes from OBO Bettermann, MK by Honeywell, Electraplan, and PUK. The XTP transmitter supports computer and video resolutions up to 1920x1200, including 1080p/60 Deep Color and 2K. Incoming analog video signals are digitized for reliable transmission, and separate analog stereo audio transmissions can be embedded onto the output signal. It features EDID Minder, auto-switching between inputs and RS-232 remote control for simplified input selection. It also allows Ethernet extension for LAN access and insertion of bidirectional RS-232 and IR to control remote AV devices. Designed for XTP Systems, the XTP T FB 202 can be powered by the XTP CrossPoint® matrix switcher to further streamline integration. The unique form factor of the transmitter provides a flexible, floor box mounting solution, offering convenient input locations within configurable room environments.

## KEY FEATURES

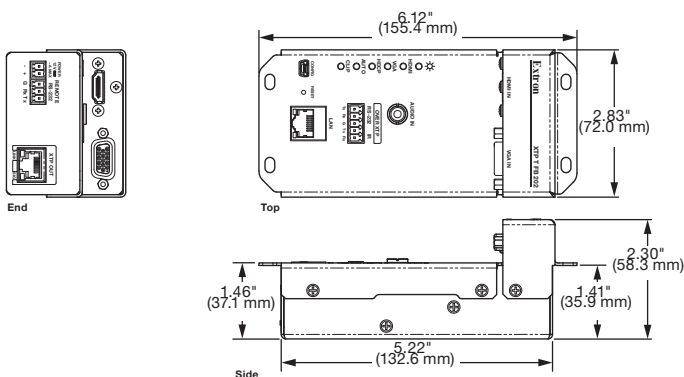
- ▶ Designed to mount in a variety of floor boxes
- ▶ Transmits HDMI or analog video, audio, bidirectional RS-232 & IR, and Ethernet up to 330 feet over a shielded CATx cable
- ▶ Supports computer and video resolutions up to 1920x1200, including 1080p/60 Deep Color and 2K
- ▶ Compatible with Extron XTP DTP 24 and CATx shielded twisted pair cable
- ▶ Auto-switching between inputs
- ▶ Bidirectional RS-232 and IR insertion for AV device control
- ▶ RS-232 control
- ▶ Remote power capability

## SPECIFICATIONS

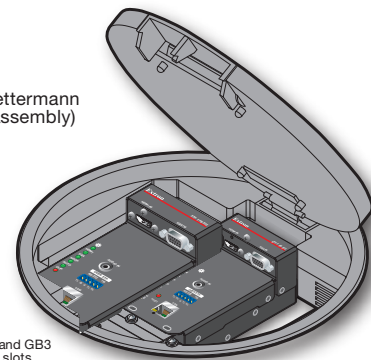
<b>VIDEO</b>		
Standards	DVI 1.0, HDMI, HDCP 1.1	
<b>VIDEO INPUT</b>		
Number/signal type	1 analog RGBHV 1 single link HDMI (DVI-D or DisplayPort*) input	
<b>INTERCONNECTION BETWEEN TRANSMITTER AND RECEIVER</b>		
Signal transmission distance	330' (100 m) using shielded twisted pair or XTP DTP 24 cable	
Cable requirements	Solid conductor, 24 AWG or better	
Cable recommendations	400 MHz bandwidth, STP (Shielded Twisted Pair)	
<b>NOTE:</b> Extron XTP DTP 24 shielded twisted pair cable is strongly recommended for optimal performance.		
<b>AUDIO INPUT</b>		
Number/signal type	1 analog stereo, unbalanced or 1 digital audio, embedded from HDMI	
<b>CONTROL/REMOTE</b>		
<b>External device (pass-through, unidirectional or bidirectional)</b>		
Baud rates	Up to 115200 baud	
Ethernet data rate	10/100Base-T, half/full duplex with autotdetect	
<b>GENERAL</b>		
Power supply	External Input: 100 to 240 VAC, 50-60 Hz Output: 12 VDC, 1 A, 12 watts	
<b>NOTE:</b> Each XTP switcher, transmitter, receiver can be powered either locally by an external power supply or remotely using an optional power injector.		
<b>Regulatory compliance</b>		
Safety	CE, c-UL, UL	
EMI/EMC	CE**, C-tick, FCC Class A**, ICES, VCCI	
Environmental	Complies with the appropriate requirements of RoHS, WEEE.	
<b>Model</b>	<b>Version Description</b>	<b>Part number</b>
XTP T FB 202	2 Input XTP Transmitter for Floor Boxes	60-1383-12

For complete specifications, please go to [www.extron.com](http://www.extron.com)  
Specifications are subject to change without notice.

## APPLICATION DIAGRAM



**Extron XTP T FB 202**  
(shown in OBO Bettermann GESR7 floorbox assembly)



Fits GB2 and GB3 mounting slots

### WORLDWIDE SALES OFFICES

Anaheim • Raleigh • Silicon Valley • Dallas • New York • Washington, DC • Toronto • Mexico City  
Paris • London • Frankfurt • Stockholm • Amersfoort • Moscow • Dubai • Johannesburg • Tel Aviv  
Sydney • Melbourne • New Delhi • Bangalore • Singapore • Seoul • Shanghai • Beijing • Tokyo

[www.extron.com](http://www.extron.com)