

# XTP T EU 202

TWO INPUT XTP TRANSMITTER  
FOR EU-TYPE JUNCTION BOXES



The XTP T EU 202 is a two-input XTP® transmitter in a two-gang form factor designed to mount in standard EU-type electrical junction boxes. It sends HDCP-compliant HDMI or RGBHV video, audio, and bidirectional control up to 330 feet (100 meters) over a shielded CATx cable. Designed for use in XTP Systems®, the XTP T EU 202 provides signal distribution and long-distance transmission for configurable room environments and simplifies input connectivity from walls, portable lecterns, and boardroom tables.

- ▶ Designed to mount in a two-gang EU-type electrical junction box
- ▶ Transmits HDMI or digitized analog video, audio, and bidirectional RS-232 and IR up to 330 feet (100 meters) over a shielded CATx cable
- ▶ HDMI and VGA inputs
- ▶ Supports computer video up to 1920x1200, including HDTV 1080p/60 Deep Color and 2K
- ▶ Compatible with CATx shielded twisted pair cable
- ▶ Extron XTP DTP 24 shielded twisted pair cable is strongly recommended for optimal performance
- ▶ Auto-switching between inputs
- ▶ Bidirectional RS-232 and IR insertion for AV device control
- ▶ HDCP compliant
- ▶ EDID Minder® automatically manages EDID communication between connected devices
- ▶ Key Minder® continuously verifies HDCP compliance for quick, reliable switching
- ▶ Remote power capability
- ▶ Available in RAL9010 white



**Extron Electronics**  
INTERFACING, SWITCHING AND CONTROL

## DESCRIPTION

The Extron **XTP T EU 202** is a compact, two-input transmitter that sends HDMI or RGBHV video, audio, and control up to 330 feet (100 meters) over a shielded CATx cable. The XTP® transmitter is compatible with standard two-gang EU-type electrical junction boxes for convenient installation in wall-mount environments. It supports computer video up to 1920x1200, including HDTV 1080p/60 Deep Color and 2K. Incoming analog video signals are digitized for reliable transmission, and separate analog stereo audio transmissions can be embedded onto the output signal. Features include automatic switching between inputs with selectable prioritization and insertion of bidirectional RS-232 and IR to enable remote AV device control. Designed for XTP Systems®, the XTP T EU 202 can be remotely powered by the XTP CrossPoint® matrix switcher.

## KEY FEATURES

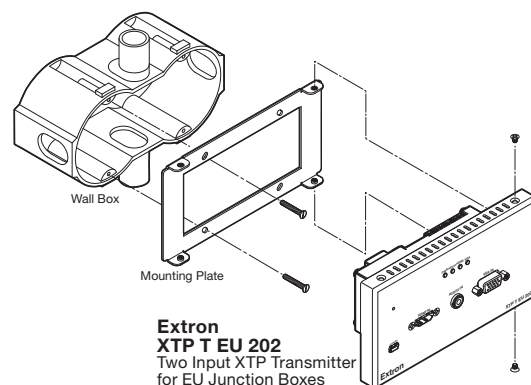
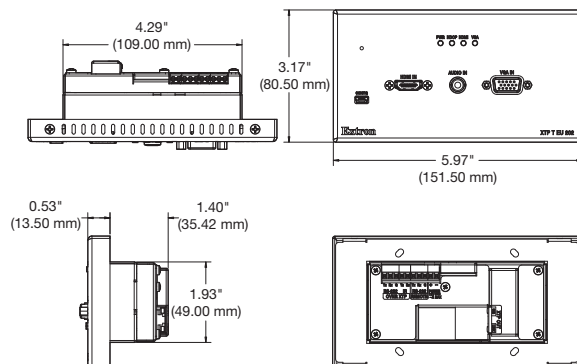
- ▶ Designed to mount in a two-gang EU-type electrical junction box
- ▶ Transmits HDMI or digitized analog video, audio, and bidirectional RS-232 and IR up to 330 feet (100 meters) over a shielded CATx cable
- ▶ HDMI and VGA inputs
- ▶ Supports computer video up to 1920x1200, including HDTV 1080p/60 Deep Color and 2K
- ▶ Compatible with CATx shielded twisted pair cable
- ▶ Extron XTP DTP 24 shielded twisted pair cable is strongly recommended for optimal performance
- ▶ Auto-switching between inputs
- ▶ Remote power capability
- ▶ Available in RAL9010 white

## SPECIFICATIONS

VIDEO		
<b>Resolution range</b>		
Digital	Up to 1920x1200*, 2K, or 1080p (HDTV) * reduced blanking	
Analog	Up to 1920x1200* or 1080p (HDTV) * reduced blanking	
VIDEO INPUT		
<b>Number/signal type</b>	1 analog RGBHV 1 single link HDMI (DVI-D or DisplayPort*) input	
INTERCONNECTION BETWEEN TRANSMITTER AND RECEIVER		
<b>Signal transmission distance</b>	330' (100 m) using shielded twisted pair cable or XTP DTP 24 cable	
Cable requirements	Solid conductor, 24 AWG or better	
Cable recommendations	400 MHz bandwidth, STP (Shielded Twisted Pair)	
<b>NOTE:</b> Extron XTP DTP 24 shielded twisted pair cable is strongly recommended for optimal performance.		
AUDIO INPUT		
<b>Number/signal type</b>	1 analog stereo, unbalanced or 1 digital audio, embedded from HDMI	
CONTROL/REMOTE		
<b>External device (pass-through, unidirectional or bidirectional)</b>		
Baud rates	Up to 115200 baud	
Ethernet data rate	10/100Base-T, half/full duplex with autodetect	
GENERAL		
<b>Power supply</b>	External Input: 100 to 240 VAC, 50-60 Hz Output: 12 VDC, 1 A, 12 watts	
<b>Regulatory compliance</b>		
Safety	CE, c-UL, UL	
EMI/EMC	CE**, C-tick, FCC Class A**, ICES, VCCI	
Environmental	Complies with the appropriate requirements of RoHS, WEEE.	
<b>Model</b>	<b>Version Description</b>	<b>Part number</b>
XTP T EU 202	2 Input EU Transmitter	60-1358-35

For complete specifications, please go to [www.extron.com](http://www.extron.com)  
Specifications are subject to change without notice.

## APPLICATION DIAGRAM



### Worldwide Sales Offices

Anaheim • Raleigh • Silicon Valley • Dallas • New York • Washington, DC • Toronto • Mexico City • Paris • London • Frankfurt  
Amersfoort • Moscow • Dubai • Johannesburg • New Delhi • Bangalore • Singapore • Seoul • Shanghai • Beijing • Tokyo

#### UNITED STATES

+800.633.9876  
Inside USA/Canada  
+1.714.491.1500

#### EUROPE

+800.3987.6673  
Inside Europe  
+31.33.453.4040

#### ASIA

+800.7339.8766  
Inside Asia  
+65.6383.4400

#### MIDDLE EAST

+971.4.299.1800