

XTP T HWP 101

XTP TRANSMITTER FOR HDMI - DECORA® WALLPLATE



The Extron XTP T HWP 101 is a single-gang Decora®-style transmitter for sending high resolution HDMI with embedded audio up to 330 feet (100 meters) over a single shielded CATx cable. It is designed for efficient use within configurable rooms and environments offering limited space. The single-gang XTP T HWP 101 transmitter provides the convenience of extending signals from the wall, floor, or furniture in point-to-point installations and XTP Systems®.

- ▶ Transmits HDMI with embedded audio up to 330 feet (100 m) over a shielded CATx cable
- ▶ Supports computer video up to 1920x1200, including HDTV 1080p/60 Deep Color and 2K
- ▶ Compatible with Extron XTP DTP 24 and CATx shielded twisted pair cable
- ▶ Supported HDMI specification features include data rates up to 6.75 Gbps, Deep Color up to 12-bit, 3D, and HD lossless audio formats
- ▶ HDCP compliant
- ▶ EDID Minder® automatically manages EDID communication between connected devices
- ▶ Key Minder® continuously verifies HDCP compliance for quick, reliable switching
- ▶ Remote power capability
- ▶ Supports multiple embedded audio formats
- ▶ Supports EDID and HDCP transmission
- ▶ LED indicators for signal presence, HDCP, and power
- ▶ Compatible with all XTP® integrated system products
- ▶ Mounts in an included single-gang Decora®-style wallplate



DESCRIPTION

The Extron **XTP T HWP 101** is a single-gang Decora®-style transmitter for sending HDMI with embedded audio up to 330 feet (100 meters) over a single shielded CATx cable. The one-gang form factor provides maximum space efficiency for convenient installation in wall mount, floor box, and furniture mount applications. The transmitter is HDCP compliant and supports computer video up to 1920x1200, including 1080p/60 Deep Color and 2K resolutions. It offers many of the integrator-friendly features that are standard with XTP® products, such as EDID Minder® and remote power capability. The single-gang XTP T HWP 101 works with XTP Systems® for signal distribution and long-distance transmission in wall-mount environments.

KEY FEATURES

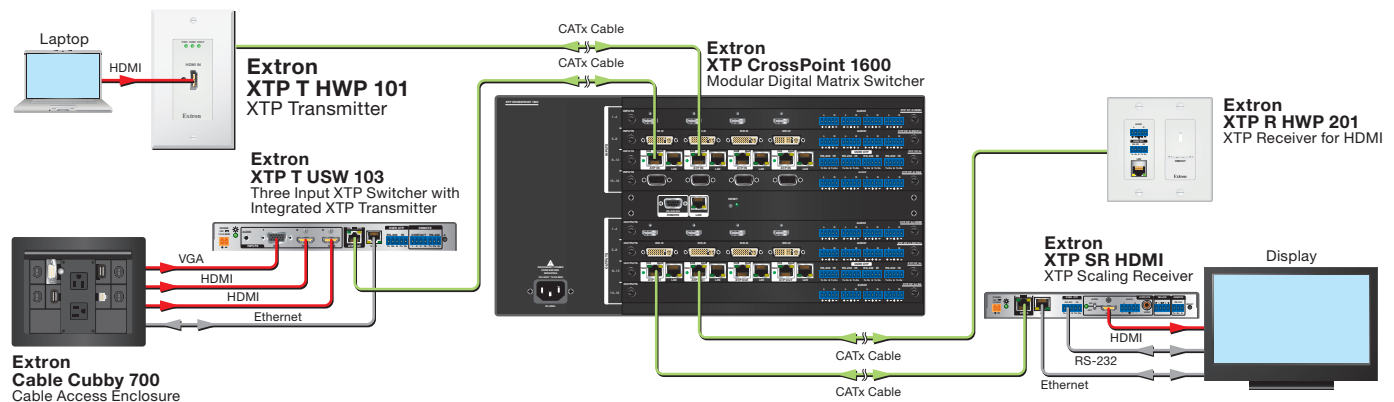
- ▶ Transmits HDMI with embedded audio up to 330 feet (100 m) over a shielded CATx cable
- ▶ Supports computer video up to 1920x1200, including HDTV 1080p/60 Deep Color and 2K
- ▶ Compatible with CATx shielded twisted pair cable
- ▶ Extron XTP DTP 24 shielded twisted pair cable is strongly recommended for optimal performance
- ▶ Supported HDMI specification features include data rates up to 6.75 Gbps, Deep Color up to 12-bit, 3D, and HD lossless audio formats
- ▶ HDCP compliant
- ▶ EDID Minder® automatically manages EDID communication between connected devices
- ▶ Remote power capability
- ▶ Mounts in an included single-gang Decora-style wallplate

SPECIFICATIONS

| VIDEO | | |
|---|--|--------------------|
| Resolution range | Up to 1920x1200*, 2K, or 1080p (HDTV) * reduced blanking | |
| Maximum data rate | 6.75 Gbps (2.25 Gbps per color) | |
| INTERCONNECTION BETWEEN TRANSMITTER AND RECEIVER | | |
| Connectors | 1 female RJ-45 per unit | |
| Signal transmission distance | 330' (100 m) using shielded twisted pair or XTP DTP 24 cable | |
| Cable requirements | Solid conductor, 24 AWG or better | |
| Cable recommendations | 400 MHz bandwidth, STP (Shielded Twisted Pair) | |
| NOTE: Extron XTP DTP 24 shielded twisted pair cable is strongly recommended for optimal performance. | | |
| AUDIO INPUT | | |
| Number/signal type | 1 digital audio, de-embedded from HDMI | |
| GENERAL | | |
| Power supply | External Input: 100-240 VAC, 50-60 Hz Output: 12 VDC, 1 A, 12 watts | |
| NOTE: Each XTP transmitter can be powered either locally by an external power supply or remotely using an optional power injector. | | |
| Enclosure dimensions | Device 2.8" H* x 1.7" W x 1.9" D (7.1 cm H* x 4.3 cm W x 4.8 cm D) (Depth excludes connectors. Fits some 1-gang boxes.) *Height is 4.1" (10.4 cm) including mounting tabs. | |
| Regulatory compliance | Safety CE, c-UL, UL EM/EMC CE**, C-tick, FCC Class A**, ICES, VCCI Environmental Complies with the appropriate requirements of RoHS, WEEE. | |
| NOTE: **CE and FCC testing is conducted with STP (shielded twisted pair) cable. | | |
| Model | Version Description | Part number |
| XTP T HWP 101 | HDMI Decora Transmitter - Black | 60-1407-12 |
| XTP T HWP 101 | HDMI Decora Transmitter - White | 60-1407-13 |

For complete specifications, please go to www.extron.com
Specifications are subject to change without notice.

APPLICATION DIAGRAM



Worldwide Sales Offices

Anaheim • Raleigh • Silicon Valley • Dallas • New York • Washington, DC • Toronto • Mexico City • Paris • London • Frankfurt
Amersfoort • Moscow • Dubai • Johannesburg • New Delhi • Bangalore • Singapore • Seoul • Shanghai • Beijing • Tokyo

UNITED STATES

+800.633.9876
Inside USA/Canada
+1.714.491.1500

EUROPE

+800.3987.6673
Inside Europe
+31.33.453.4040

ASIA

+800.7339.8766
Inside Asia
+65.6383.4400

MIDDLE EAST

+971.4.299.1800