



DESCRIPTION

The Extron TeamWork® 400 system is a complete, pre-configured collaboration system for four digital sources. The package includes:

- Four HDMI Show Me™ cables and SW4 HD 4K switcher
- System controller
- Cable Cubby® Series/2 enclosure with two US AC outlets
- Other necessary system cables

The TeamWork 400 system also supports legacy analog computer sources with the optional TeamWork VGA Kit. Optional mounting hardware is available to facilitate different collaboration table or work surface designs.

FEATURES

- ▶ Supports groups of up to four users
- ▶ Simple, intuitive operation
- ▶ Pre-configured for fast, easy installation
- ▶ Works with virtually any new or existing furniture system
- ▶ Works with most flat panel displays, laptops, and tablets

SWITCHER	
Maximum data rate	10.2 Gbps (3.4 Gbps/color)
Maximum pixel clock	300 MHz (600MHz for 4K with 4:2:0 chroma subsampling)
Resolution	Up to 1920x1200 or 1080p @ 60 Hz, 12-bit color, 4K (4096x2160) @ 30 Hz, UHD (3840x2160) @ 30 Hz, 4K/UHD @ 60Hz with 4:2:0 chroma subsampling
Serial control port	(1) RS-232, 3.5 mm captive screw connector, 3 pole
Power supply	External: Input: 100-240 VAC, 50-60 Hz Output: 12 VDC, 1.5 A, 18 watts
Power consumption	
Device	6 watts, 12 VDC
Device and power supply	8 watts, 12 VDC
Enclosure dimensions	1.75" H x 8.75" W x 3.00" D (1U high, half rack wide) (44 mm H x 222 mm W x 76 mm D) (Depth excludes connectors)
SYSTEM CONTROLLER	
Connectors	1 female USA/Edison power connector
Voltage	120 VAC, 50-60 Hz
Maximum AC load	12A, 1440 watts at 120 VAC
Serial control port	(1) RS-232 only, 3.5 mm captive screw connector, 4 pole
Power supply	Internal: 100-240 VAC, 50-60 Hz, 5 watts
Enclosure dimensions	1.75" H x 4.30" W x 6.00" D (1U high, quarter rack wide) (44 mm H x 109 mm W x 152 mm D)
CABLE CUBBY	
Min./max. table thickness	0.50" to 2.50" (13 mm to 64 mm)
Top plate (outer rim)	10.57" W x 4.58" D (269 mm W x 116 mm D)
Enclosure depth	4.46" H (113 mm H)
Surface cutout (inside rim)	10.0" W x 4.0" D (254 mm W x 102 mm D)
HDMI SM SHOW ME CABLE	
Standards	High speed HDMI® cable
Contacts	Gold Plated
Material	Conductors: tinned copper, 30 AWG Drain wire: tinned copper, 32 AWG Shielding: fluorocopolymer tape binder, tinned copper braid
Overall length	6' (1.8 m) measured neck-to-neck
GENERAL	
Regulatory compliance	
Product warranty	3 years parts and labor

For complete specifications, please go to www.extron.com
Specifications are subject to change without notice.

MODEL

TeamWork 400

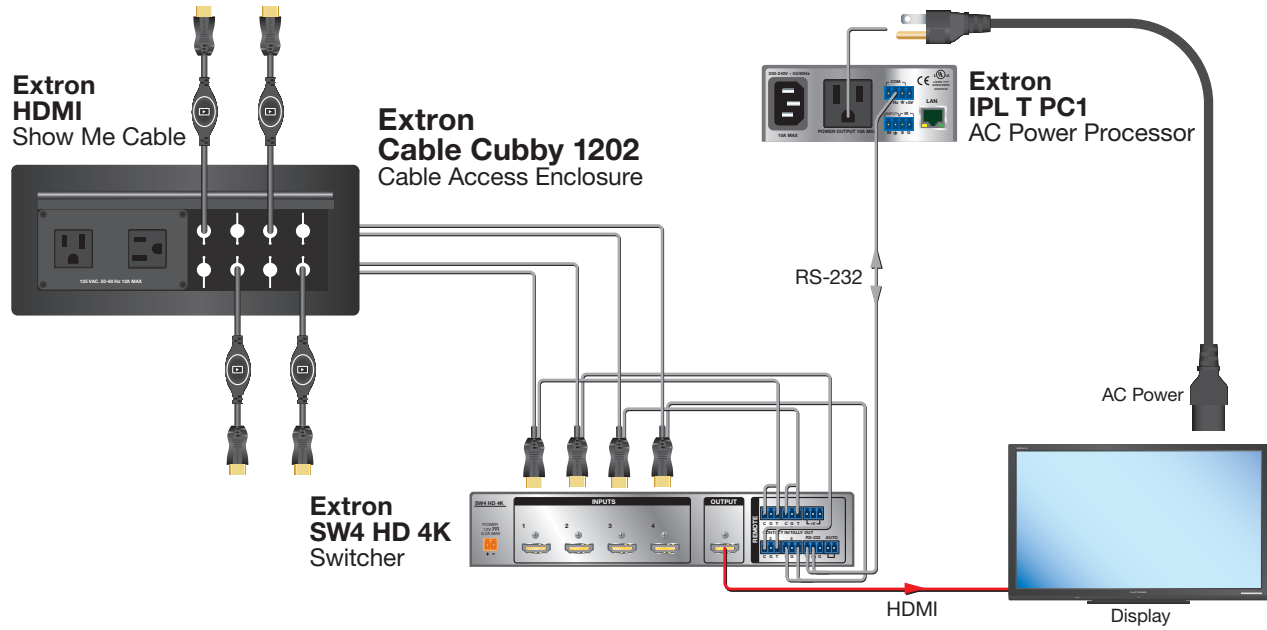
VERSION DESCRIPTION

Four Digital Sources.....

PART

42-275-01

Application Diagram



WORLDWIDE SALES OFFICES

Anaheim • Raleigh • Silicon Valley • Dallas • New York • Washington, DC • Toronto • Mexico City • Paris • London
Frankfurt • Madrid • Stockholm • Amersfoort • Moscow • Dubai • Johannesburg • Tel Aviv • Sydney • Melbourne
Bangalore • Mumbai • New Delhi • Singapore • Seoul • Shanghai • Beijing • Hong Kong • Tokyo

www.extron.com