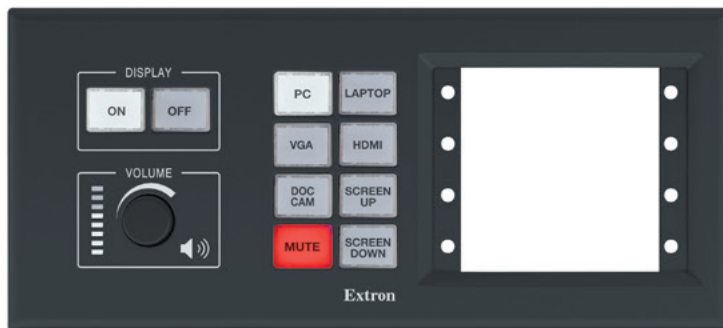


# MLC Plus 200 AAP

MEDIALINK PLUS CONTROLLER  
WITH AAP OPENING

- ▶ Manage, monitor, and control AV devices using a standard Ethernet network
- ▶ Fully customizable using Global Configurator Plus or Global Configurator Professional
- ▶ Two bidirectional RS-232 ports
- ▶ Two relays for controlling room functions
- ▶ One IR port for connecting up to two emitters
- ▶ One digital input
- ▶ Remote volume control port for Extron MPA Series and select XTRA™ Series amplifiers
- ▶ Volume control knob with LEDs for visual feedback
- ▶ Supports Power over Ethernet
- ▶ Supports Ethernet-controllable devices:
  - Up to 4 devices with GC Plus
  - Up to 8 devices with GC Pro
- ▶ Opening for up to four single space AAP - Architectural Adapter Plates
- ▶ Section 508 Compliant



The MLC Plus 200 AAP is an easy-to-use, pushbutton controller that is used for common AV room functions such as display on/off, input switching, volume, and Ethernet control of AV devices. This fully-configurable controller features a sleek look, ten backlit buttons, a multi-function volume knob and an opening for four single space AAPs. It is ideal for a broad variety of AV environments, including classrooms and conference rooms.



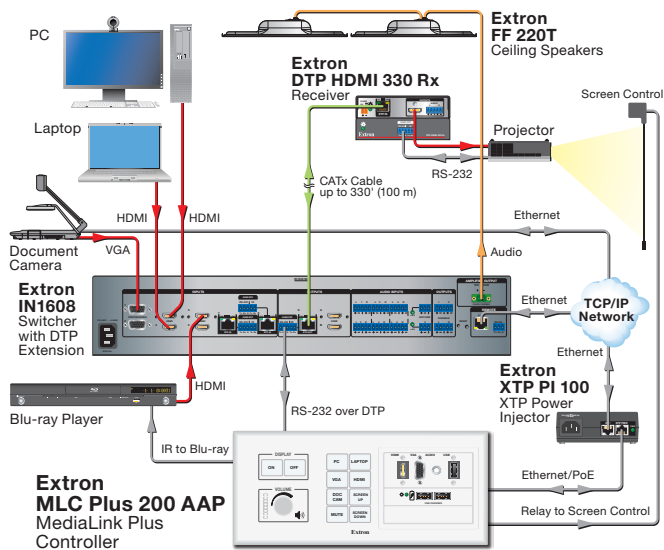
**Extron Electronics**  
INTERFACING, SWITCHING AND CONTROL

## DESCRIPTION

The **MLC Plus 200 AAP** is a sleek Ethernet controller designed for handling common AV functions such as display on/off, input switching, volume control, and Ethernet control of AV devices. The magnetically-attached faceplate hides the mounting screws and, combined with its rounded corners and beveled edges, gives the controller a refined, stylish appearance. Along with the ten customizable and configurable buttons, the MLC Plus 200 AAP features a remote volume control port for Extron MPA Series and select XTRA™ Series amplifiers. Power over Ethernet - PoE allows the MLC Plus 200 AAP to receive power and communications over a single Ethernet cable. The MLC Plus 200 AAP mounts in a five-gang junction box, includes black and white faceplates, and has an opening for four single space AAPs.

The MLC Plus 200 AAP is configured using Global Configurator Plus or Global Configurator Professional software. It also integrates seamlessly with Extron's award-winning GlobalViewer® Enterprise software and Free GlobalViewer® Web application for complete AV resource monitoring, management, and control over a computer network. The Extron control App and Extron Control for Web is supported by this controller if a secondary point of control is required.

## APPLICATION DIAGRAM



## SPECIFICATIONS

MEMORY		
Flash	512 MB	
SOFTWARE AND CONTROL OPTIONS		
Software	Extron Global Configurator Plus and Professional for Windows®	
Control options	GlobalViewer®, Extron Control for Web, Extron Control for iPad®	
ETHERNET CONTROL		
Connector	1 female RJ-45 connector	
Data rate	10/100/1000Base-T, half/full duplex with autodetect	
SERIAL CONTROL		
Quantity/type	2 bidirectional RS-232	
DIGITAL INPUT CONTROL		
Quantity/type	1 digital input	
IR CONTROL		
Quantity/type	1 TTL level (0 to 5 V) infrared (carrier and non-carrier) up to 300 kHz	
RELAY CONTROL		
Quantity/type	2 normally open relays	
VOLUME CONTROL		
Quantity/type	1 volume control (compatible with select Extron amplifiers)	
Control voltage output range	0 to +10 VDC (±0.2 volts), adjustable	
GENERAL		
Power supply	Not included	
Power input requirements	12 VDC, 1 A, 12 watts, max. Or power over Ethernet (PoE) (complies with PoE 802.3af, class 3)	
Enclosure dimensions		
Faceplate	4.5" H x 10.0" W x 0.3" D (11.4 cm H x 25.5 cm W x 0.8 cm D)	
Device	2.7" H x 5.2" W x 2.2" D (6.9 cm H x 13.2 cm W x 5.5 cm D) (Depth excludes faceplate and buttons. Fits most 5 gang US boxes or mud rings. Allow at least 2.4" [6.1 cm] depth in the wall or furniture.)	
Product weight	1.0 lb (0.5 kg)	
Regulatory compliance		
Safety	CE, c-UL, UL	
EMI/EMC	CE, C-tick, FCC Class A, ICES, VCCI	
Environmental	Complies with the appropriate requirements of RoHS, WEEE	
Accessibility	Complies with the appropriate requirements of Section 508 of the Rehabilitation Act (29 U.S.C. 794d).	
Warranty	3 years parts and labor	
Model	Version Description	Part number
MLC Plus 200 AAP	White and Black Faceplates, 5-Gang	60-1541-02
Optional Accessories		
Model	Version Description	Part number
XTP PI 100	Single Port Power Injector	60-1233-01
PS 1210 C	12V, 1A, Captive Screw Connector	70-775-01

For complete specifications, please go to [www.extron.com](http://www.extron.com)  
Specifications are subject to change without notice.

### WORLDWIDE SALES OFFICES

Anaheim • Raleigh • Silicon Valley • Dallas • New York • Washington, DC • Toronto • Mexico City • Paris • London • Frankfurt  
Stockholm • Amersfoort • Moscow • Dubai • Johannesburg • Tel Aviv • Sydney • Melbourne • New Delhi • Bangalore  
Singapore • Seoul • Shanghai • Beijing • Hong Kong • Tokyo

[www.extron.com](http://www.extron.com)