

GLI 350xi ADA 2/GLI 350xi

GROUND LOOP ISOLATORS

- Eliminate hum bars and common mode noise
- Active differential amplifiers for electronic noise cancellation
- 350 MHz (-3 dB) RGB video bandwidth, fully loaded
- Horizontal frequency range of 15 kHz -135 kHz
- Compatible with RGBHV, RGBS, RsGsBs, and RGsB video
- Compatible with NTSC, PAL, and SECAM on RGB channels
- Rugged, metal enclosure
- Rack mountable and other versatile mounting options
- External international power supply attached



GLI 350xi



ADA 2/GLI 350xi

Extron Ground Loop Isolators eliminate hum bars and common mode noise caused by improper equipment grounding in video systems. They are ideal for use in rental and staging, convention centers, and other applications where ground loops may occur.



Extron® Electronics

www.extron.com

DESCRIPTION

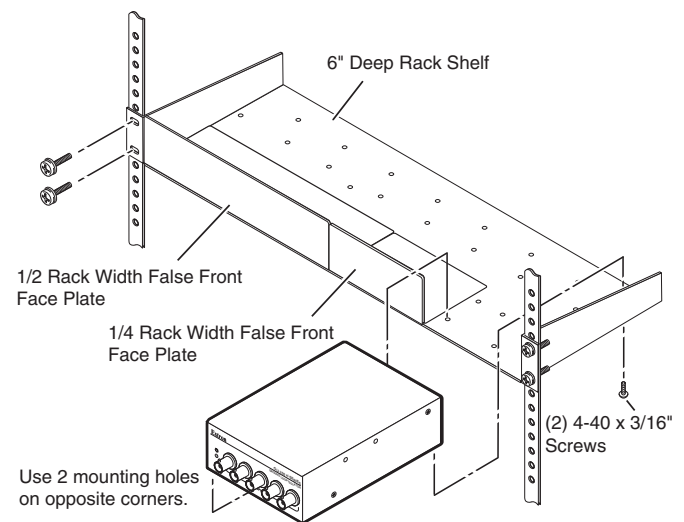
The Extron **GLI 350xi** is an active one-input, one-output ground loop isolator, and the **ADA 2/GLI 350xi** is an active one-input, two-output RGBHV distribution amplifier with an integrated GLI 350xi ground loop isolator. They eliminate video hum bars and common mode noise caused by improper equipment grounding in video systems. They provide ground loop isolation for a variety of signals, including RGBHV, RGBS, RsGsBs, RGsB, component video, S-video, and composite video. The GLI 350xi and the ADA 2/GLI 350xi are designed for applications in rental and staging, convention centers, hotels or other large buildings, and other environments where ground loops and video signal interference may occur.

Ground loops arise when there is an electrical potential difference between two inter-connected electronic devices, such as when a projector and its signal source(s) are powered from two different power-ground systems that are separated by a significant distance. This causes a loop current to flow between the two pieces of equipment, resulting in hum bars -- 50- or 60-cycle noise that is best described as a series of thick background bars that roll vertically through the displayed image.

The GLI 350xi and the ADA 2/GLI 350xi provide electrical isolation for systems where it is impractical to connect all equipment to the same ground. Offering RGB video bandwidth of 350 MHz, the GLI 350xi and the ADA 2/GLI 350xi are housed in compact, one-quarter rack width metal enclosures with attached, external international power supplies.

FEATURES

- Eliminate hum bars and common mode noise
- Active differential amplifiers for electronic noise cancellation
- 350 MHz (-3 dB) RGB video bandwidth, fully loaded
- Horizontal frequency range of 15 kHz -135 kHz
- Compatible with RGBHV, RGBS, RsGsBs, and RGsB video
- Compatible with NTSC, PAL, and SECAM on RGB channels
- Rugged, metal enclosure
- Rack mountable and other versatile mounting options
- External international power supply attached



Mounting the GLI 350xi or the ADA 2/GLI 350xi on a 1U 6" Deep Universal Rack Shelf

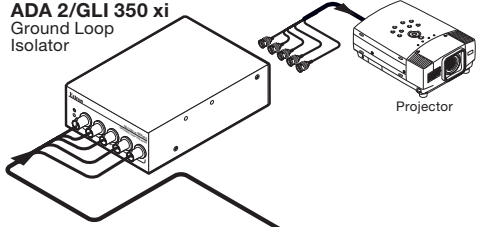
VIDEO	
Gain	Unity
Bandwidth	350 MHz (-3 dB), fully loaded
CMRR	>47 dB @ 60 Hz, >30 dB @ 10 MHz
VIDEO INPUT	
Number/signal type	1 UXGA-QXGA RGBHV, RGBS, RGSB, RsGsBs, component video, S-video, composite video
Connectors	5 female BNC
Nominal level.....	1 Vp-p for Y of component video and S-video, and for composite video 0.7 Vp-p for RGB and for R-Y and B-Y of component video 0.3 Vp-p for C of S-video
Minimum/maximum levels.....	Analog: 0.3 V to 1.5 Vp-p with no offset
Impedance	75 ohms
Horizontal frequency.....	15 kHz to 135 kHz
Vertical frequency.....	30 Hz to 150 Hz
Return loss	<-39 dB @ 5 MHz
DC offset (max. allowable).....	0.2 V
VIDEO OUTPUT	
Number/signal type	
ADA 2/GLI 350xi.....	2 RGBHV, RGBS, RGSB, RsGsBs, component video, S-video, composite video
GLI 350xi.....	1 RGBHV, RGBS, RGSB, RsGsBs, component video, S-video, composite video
Connectors	
ADA 2/GLI 350xi.....	2 x 5 BNC female
GLI 350xi.....	5 BNC female
Nominal level.....	1 Vp-p for Y of component video and S-video, and for composite video 0.7 Vp-p for RGB 0.3 Vp-p for C of S-video and for R-Y and B-Y of component video
Minimum/maximum levels.....	Analog: 0.3 V to 1.5 Vp-p (follows input)
Impedance	75 ohms
Return loss	<-45 dB @ 5 MHz
DC offset	±10 mV
SYNC	
Input type	RGBHV, RGBS, RGSB, RsGsBs
Output type.....	RGBHV, RGBS, RGSB, RsGsBs (follows input) Tri-level on Y, R-Y, B-Y channels (component video 720p, 1080i, 1080p) Bi-level on Y channel (for all other component video rates)
Input level	RGBHV, RGBS (min./max.): 0.5 V to 5.0 Vp-p (analog/TTL) RGSB (nominal): 0.3 Vp-p (analog)
Output level	0.3 V to 1.5 Vp-p, unterminated
Input impedance	510 ohms
Output impedance	75 ohms
Max. propagation delay.....	H = 60 ns, V = 226 ns
Max. rise/fall time	4 ns
Polarity.....	Positive or negative (follows input)

GENERAL		
External power supply (attached)....	100 VAC to 240 VAC, 50/60 Hz, external; to 12 VDC, 1 A, regulated	
Power input requirements.....	12 VDC, 0.5 A	
Temperature/humidity	Storage: -40 to +158 °F (-40 to +70 °C) / 10% to 90%, noncondensing Operating: +32 to +122 °F (0 to +50 °C) / 10% to 90%, noncondensing	
Cooling.....	Convection, unvented	
Rack mount.....	Yes, with optional 9.5" deep, 1U rack shelf, part #60-190-01 or 60-604-01; or 6" deep, 1U rack shelf, part # 60-190-10 or 60-604-10. Also furniture mountable with optional MBU 125 kit, #70-077-01; and through-furniture mountable with optional MBC 129 kit, #70-077-02.	
Enclosure type	Metal	
Enclosure dimensions	1.7" H x 4.3" W x 6.0" D (1U high, quarter rack wide) 4.3 cm H x 11.0 cm W x 15.2 cm D (Depth excludes connectors.)	
Product weight	0.8 lbs (0.4 kg)	
Shipping weight	2 lbs (1 kg)	
Vibration	ISTA 1A in carton (International Safe Transit Association)	
Listings.....	UL, CUL	
Compliances	CE, FCC Class A, VCCI, AS/NZS, ICES	
MTBF	30,000 hours	
Warranty	3 years parts and labor	
NOTE: All nominal levels are at ±10%.		
Model	Version Description	Part Number
GLI 350xi	Ground Loop Isolator	60-223-03
ADA 2/GLI 350xi	Two Output RGBHV Ground Loop Isolator	60-230-03

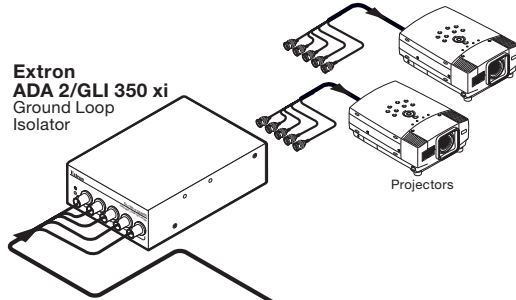
Specifications are subject to change without notice.

APPLICATION DIAGRAMS

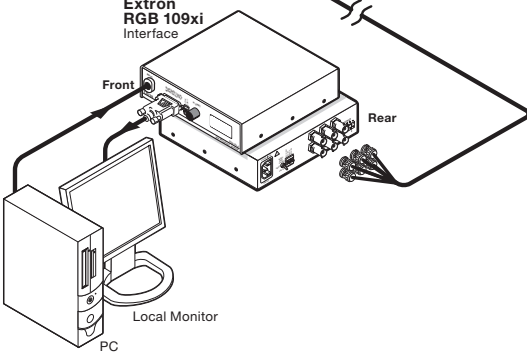
**Extron
ADA 2/GLI 350 xi
Ground Loop Isolator**



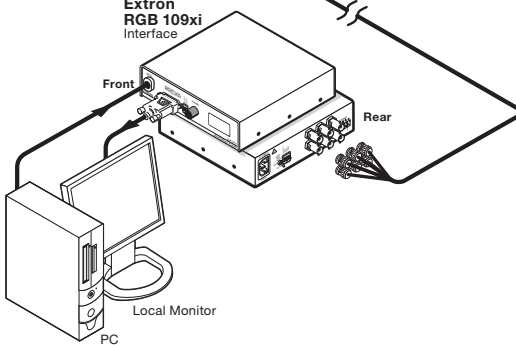
**Extron
ADA 2/GLI 350 xi
Ground Loop Isolator**



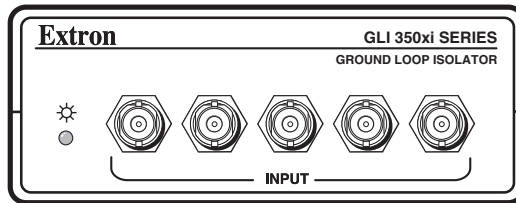
**Extron
RGB 109xi
Interface**



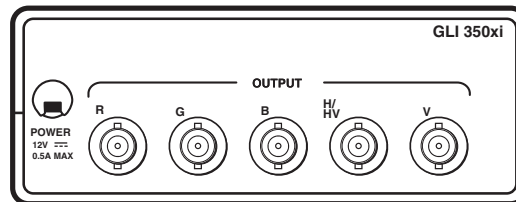
**Extron
RGB 109xi
Interface**



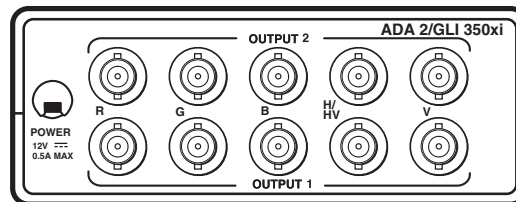
PANEL DRAWINGS



GLI 350xi and ADA2/GLI 350xi - Front



GLI 350xi - Back



ADA2/GLI 350xi - Back



Extron Electronics, USA
1230 South Lewis Street
Anaheim, CA 92805
800.633.9876 714.491.1500
FAX 714.491.1517

Extron Electronics, Europe
Beeldschermweg 6C, 3821 AH Amersfoort
The Netherlands
+800.3987.6673 +31.33.453.4040
FAX +31.33.453.4050

Extron Electronics, Asia
135 Joo Seng Rd. #04-01
PM Industrial Bldg.
Singapore 368363
+65.6383.4400 FAX +65.6383.4664

Extron Electronics, Japan
Kyodo Building, 16 Ichibancho
Chiyoda-ku, Tokyo 102-0082
Japan
+81.3.3511.7655 FAX +81.3.3511.7656