

EBP 108 D

eBUS BUTTON PANEL WITH 8 BUTTONS - DECORATOR-STYLE



- ▶ Fully customizable button panel integrates easily with an Extron Pro Series control system
- ▶ Eight backlit, soft-touch buttons that can be customized using Extron's Custom Button Builder
- ▶ Two eBUS ports allow for quick system expansion and upgrades
- ▶ Compatible with all Extron IPCP Pro control processors
- ▶ Use a single button panel or combine multiple button panels to accommodate a broad variety of system designs
- ▶ DIP switches are used to set unique eBUS device addresses and minimize setup time
- ▶ Includes black and white decorator-style wallplates and mud ring

The Extron EBP 108 D eBUS® Button Panel is a fully-customizable AV system control interface designed for use with Extron eBUS-enabled control systems. This easy-to-use control panel connects to an IPCP Pro control processor to perform a wide variety of AV system functions. Eight backlit, soft-touch buttons provide easy operation in low-light environments. eBUS button panels are linked to the control processor and to each other using a single cable that carries both power and communication.



Extron Electronics
INTERFACING, SWITCHING AND CONTROL

DESCRIPTION

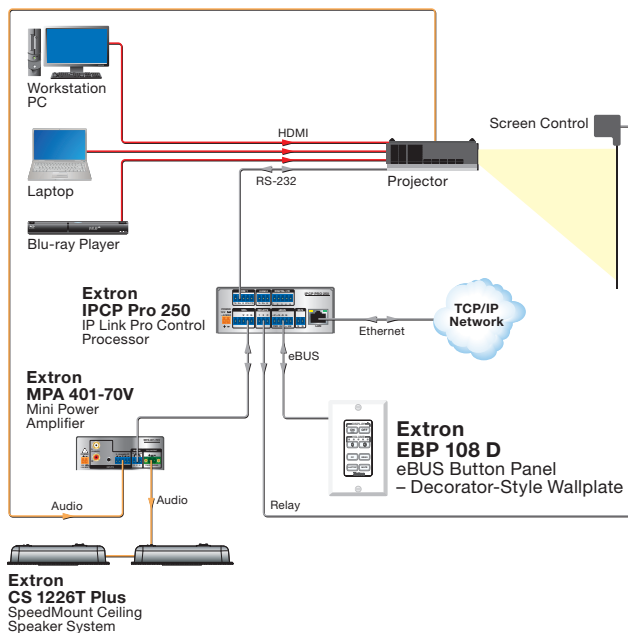
eBUS button panels connect using a unique digital bus architecture that allows for easy control system expansion, greater design options, and future upgrades. Button panels are linked to the control processor and to each other using a single cable that carries both power and communication. This efficient, expandable design allows a button panel to be used as a single user interface in a smaller system or combined with other button panels and touchpanels when a more elaborate control system is required.

Since eBUS button panels have the same physical appearance as Extron's broad range of MediaLink controllers, they can be used alongside them throughout a facility while preserving a consistent look and user experience. This button panel features customizable, soft-touch, backlit buttons suitable for a variety of control applications. The buttons can be easily customized using the online Custom Button Builder application.

KEY FEATURES

- ▶ Fully customizable button panel integrates easily with an Extron Pro Series control system
- ▶ Eight backlit, soft-touch buttons that can be customized using Extron's Custom Button Builder
- ▶ Two eBUS ports allow for quick system expansion and upgrades
- ▶ Compatible with all Extron IPCP Pro control processors

APPLICATION DIAGRAM



SPECIFICATIONS

EBUS CONTROL INTERFACE		
eBUS control ports	(2) 3.5 mm captive screw connectors, 4 pole	
eBUS pin configuration	+V = +12 VDC; +S = + signal; -S = - signal; G = ground	
Recommended cable type	Extron STP20-2/1000 or STP20-2P/1000 cable	
Maximum system cable length	1000 feet (305 meters) sum total for the eBUS system, regardless of topology. Power injection may be required depending on system cabling topology and primary power supply wattage. See the eBUS® Button Panel Decorator-Style Series Setup Guide or eBUS Technology Reference Guide for details.	
SOFTWARE AND CONTROL OPTIONS		
Configuration software	Global Configurator Plus and Professional	
Programming software	Global scripiter	
Control apps	Extron Control	
Utilities	Toolbelt	
GENERAL		
Power	12 VDC (Power is supplied by an Extron IPCP Pro series control processor or optional power supply).	
Power consumption	1.5 watts	
Thermal dissipation	4.5 BTU/hr	
Enclosure dimensions		
Faceplate	4.5" H x 2.8" W x 0.4" D (11.4 cm H x 7.1 cm W x 1.0 cm D)	
Device	2.7" H x 1.7" W x 0.8" D (6.9 cm H x 4.2 cm W x 2.1 cm D)	
	2.7" H x 1.7" W x 1.25" D (6.9 cm H x 4.2 cm W x 3.2 cm D) including captive screw connectors (Depth includes faceplate and buttons. Allow at least 1.35" [3.43 cm] depth in the wall or furniture for cables.)	
Product weight	0.2 lb (0.1 kg)	
Regulatory compliance		
Safety	CE, c-UL, UL	
EMV/EMC	CE, C-Tick, FCC Class A, ICES, VCCI class A	
Environmental	Complies with the appropriate requirements of RoHS, WEEE	
Accessibility	Complies with the appropriate requirements of Section 508 of the Rehabilitation Act (29 U.S.C. 794d).	
Warranty	3 years parts and labor	
Model	Version Description	Part number
EBP 108 D	Decorator-Style, Black and White, 8 Button	60-1189-01
Optional Accessories		
Model	Version Description	Part number
EBDB	10 eBUS Ports	60-1170-01
PS 1220EB	Power and Six eBUS Ports	70-988-01
PS 1220	12V, 2A, 1/4 Rack, 3 Captive Screw Ports	70-967-01
DWP 100 Series	Various	Various
STP 20-2P/1000	Plenum 1000' (305 m) spool	22-163-03
STP20-2/1000	Non-Plenum 1000' (305 m) spool	22-161-03
AAP 314	Three-Gang Mounting Frame; White	70-1069-03
AAP 424	Four-Gang Mounting Frame; White	70-1070-03
SMB 110 Series	Various	Various
EWB Series	Various	Various

For complete specifications, please go to www.extron.com
Specifications are subject to change without notice.

WORLDWIDE SALES OFFICES

Anaheim • Raleigh • Silicon Valley • Dallas • New York • Washington, DC • Toronto • Mexico City • Paris • London • Frankfurt
Madrid • Stockholm • Amersfoort • Moscow • Dubai • Johannesburg • Tel Aviv • Sydney • Melbourne
New Delhi • Bangalore • Singapore • Seoul • Shanghai • Beijing • Hong Kong • Tokyo

www.extron.com