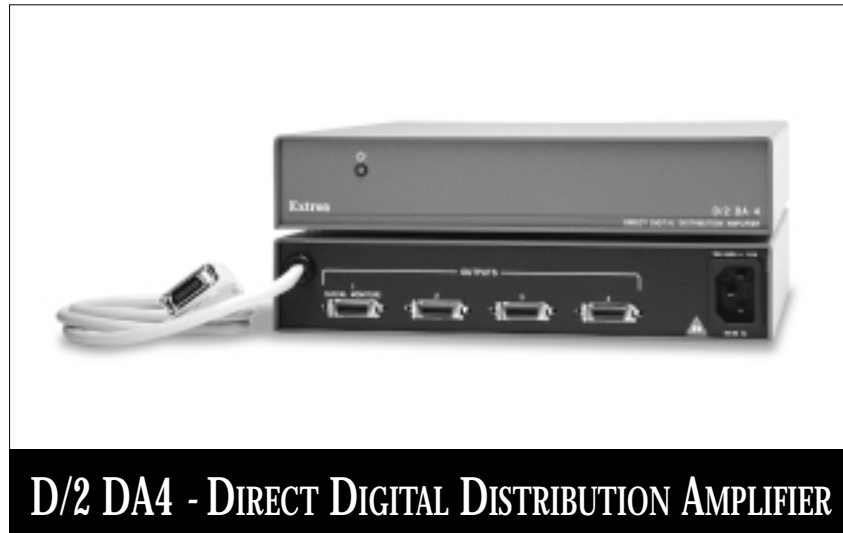


Extron Electronics

INTERFACING, SWITCHING AND DISTRIBUTION



One input, four buffered
Digital Flat Panel (DFP)
outputs

Digital Flat Panel (DFP)
video distribution amplifier

Up to 1.66 gigapixels/second
throughput

DFP/Single link
DVI-D compatible

Internal power supply



APPLICATIONS

Extron's D/2 DA4 is a one input, four output direct digital Distribution Amplifier (DA) that distributes Digital Flat Panel (DFP) video or Digital Visual Interface (DVI) video to up to four DFP or DVI monitors.

DFP and DVI are digital transmission standards for high-speed, lossless video interfaces between a computer and a direct digital monitor. The digital interface eliminates the need for analog-to-digital conversion, ensuring a sharp, crystal-clear image on the monitor. The DVI standard, also referred to as PanelLink and PanelLink Digital by Silicon Image, specifies single link and dual link digital versions for either the digital only (DVI-D) or digital and analog combined (DVI-I) connector standards. The D/2 DA4 supports a single link of DVI-D if connected through a DVI-to-DFP adapter.

The D/2 DA4 accepts a direct digital video signal from a computer or other device that outputs digital video and outputs four identical, independently buffered direct digital video outputs. The DFP and DVI standards require that the monitor report its resolution and refresh rate to the computer. If the monitor's resolution and refresh rate are not reported, the computer will not output video signals. The local monitor (output 1) connector of the D/2 DA4 is dedicated to the transmission of the local monitor's resolution and refresh rate data.

The D/2 DA4 is perfectly suited for applications requiring multiple direct digital monitors/projectors with identical resolutions and refresh rates.

The D/2 DA4 unit is rack mountable and has an auto-switchable internal power supply.

FEATURES

- **Inputs** – A single DFP connector is compatible with DFP video or a single link of DVI-D through an optional DVI-to-DFP adapter.
- **Outputs** – Four DFP connectors output DFP digital video to up to four monitors with identical resolutions and refresh rates. Output 1 is dedicated to the local monitor.
- **Rack mountable** – The D/2 DA4 is housed in a 1U high, 1/2 rack width metal enclosure. An optional rack shelf, part #60-190-01, is available.
- **Power** – Auto-switchable, 100-240VAC, 50/60 Hz, internal power supply included.

SPECIFICATIONS

Video

Number 1
 Connectors 1 3' attached cable with DFP male connector
 Minimum input voltage 0.15V p-p

SPECIFICATIONS (Cont.)

Video throughput

Bit rate 1.66 gigapixels/second

Video signal characteristics

Rise/fall time 220 pS nominal, maximum 350 pS

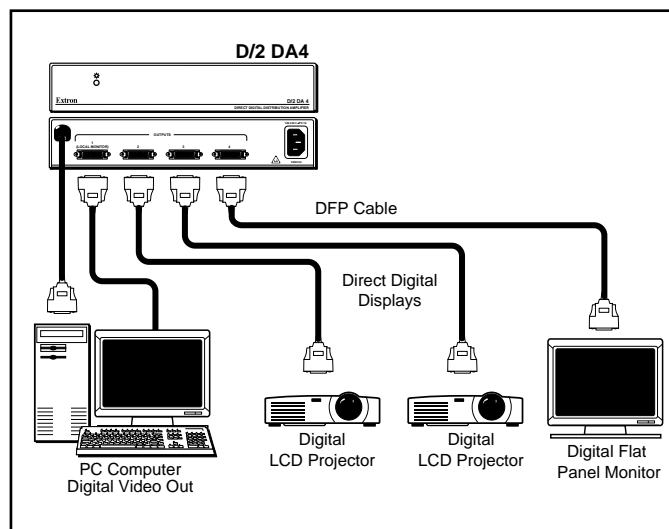
Video output

Number 4
 Connectors 4 DFP female
 Maximum output cable length 16.4 feet (5 meters)
 Minimum output voltage 0.6V p-p

General

Power 100VAC to 240VAC, 50/60 Hz, 13 Watts, internal, auto-switchable
 Temperature/humidity Storage -40° to +158°F (-40° to +70°C) / 10% to 90%, non-condensing
 Operating +32° to +122°F (0° to +50°C) / 10% to 90%, non-condensing
 Rack mount Yes, with optional rack shelf, part #60-190-01
 Enclosure type Metal
 Enclosure dimensions 1.75" H x 8.72" W x 9.50" D
 4.45 cm H x 22.15 cm W x 24.13 cm D
 Shipping weight 6 lbs (2.7 kg)
 Vibration NSTA 1A in carton (National Safe Transit Association)
 MTBF 30,000 hours
 Warranty 2 years parts and labor
 Part number 60-315-01

APPLICATION DIAGRAM



EXTRON ELECTRONICS/RGB SYSTEMS, INC.
 1230 South Lewis Street, Anaheim, CA 92805
 800.633.9876 714.491.1500 FAX 714.491.1517
 U.S.A.

EXTRON ELECTRONICS, EUROPE
 Beeldschermweg 6C, 3821 AH Amersfoort
 +31.33.453.4040 FAX +31.33.453.4050
 The Netherlands

EXTRON ELECTRONICS, ASIA
 41B Kreta Ayer Road, Singapore 089003
 +65.226.0015 FAX +65.226.0019
 Singapore

EXTRON ELECTRONIC INFORMATION
 EXTRONWEB™: www.extron.com
 EXTRONFAX™: 714.491.0192
 24-hour access—worldwide!