

Audio/Video Series

Distribution Amplifiers



Extron Electronics
INTERFACING, SWITCHING AND DISTRIBUTION

SERIES APPLICATION

Extron's series of Audio/Video Distribution Amplifiers have been developed for the professional A/V market to meet specific system requirements in distributing multiple outputs from a single input. Extron has designed each series to provide signal distribution & amplification for either Composite Video; S-Video; Stereo Audio; or Stereo Audio with Composite Video. All of the video DAs are compatible with NTSC, PAL and SECAM and the audio DAs provide balanced & unbalanced stereo distribution.

This line-up of A/V distribution products allows increased system flexibility and performance at an extremely competitive price. These professional quality distribution amplifiers (DAs) can be used in many types of corporate, educational, military or consumer installations to optimize the audio and video routing and performance within a system.

The different models listed here allow for a variety of audio and video signal types to be distributed with six outputs for every one input. Each of the video channels are designed with individual buffers and amplifiers, which means that all output channels are equivalent in terms of signal strength and integrity to the original input signal.

SERIES FEATURES

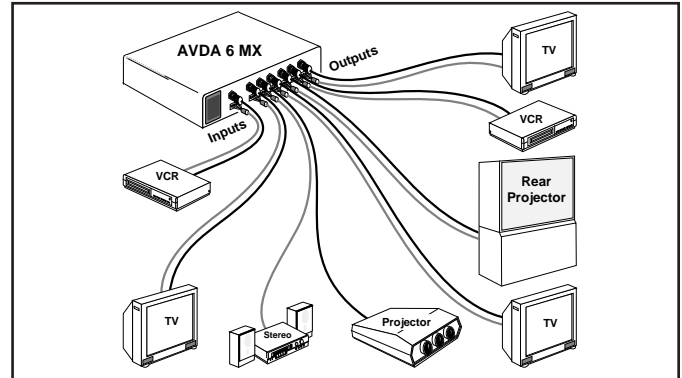
All models are housed in Extron gray 1U (1.75 inch height) metal enclosures and are rack mountable. An internal switch mode, 100-240 volt power supply, is also standard which allows use of a common IEC power cord and can be used anywhere in the world. Each of the audio channels utilize captive screw terminal connectors and are designed to accept balanced or unbalanced stereo for maximum performance, flexibility and ease of installation. Also, the *Dual* versions allow for two separate video and/or audio sources to be distributed within a single unit, and the *Quad* versions allow for four separate video and/or audio sources to be distributed within a single unit- thus eliminating the need for multiple DAs when distributing several inputs.

This line of products is ideally suited for audio visual systems which require professional quality signal distribution. With the addition of these A/V products to an already extensive product line, system designers, integrators and end users now have greater flexibility than ever for developing the perfect solutions to their distribution needs.

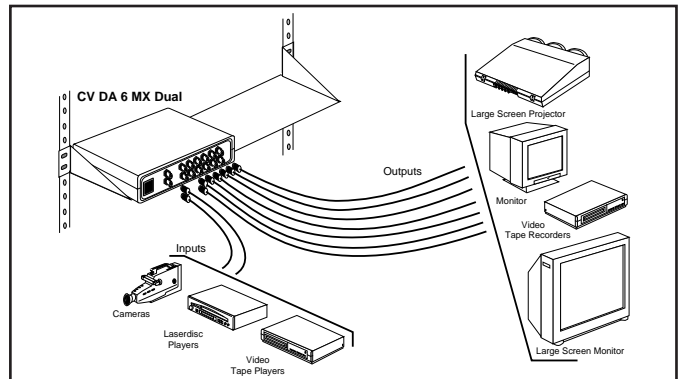
SAMPLE CONFIGURATIONS

- SINGLE, DUAL & QUAD DISTRIBUTION AMPLIFIERS

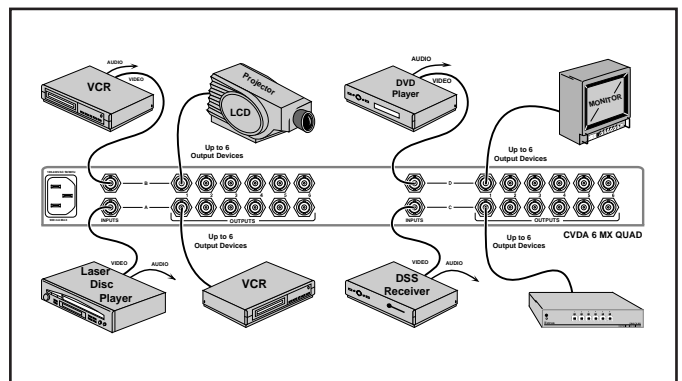
APPLICATION DIAGRAM - SINGLE



APPLICATION DIAGRAM - DUAL



APPLICATION DIAGRAM - QUAD



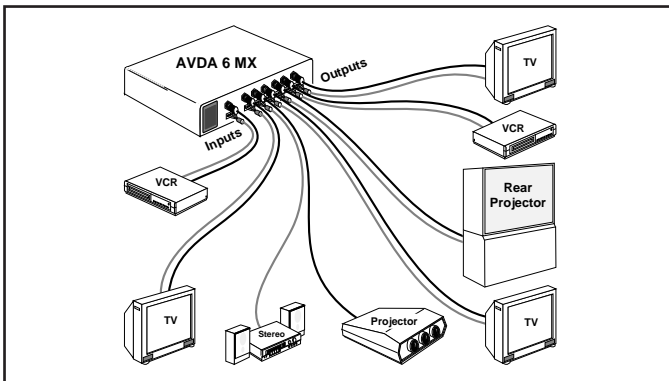
AV DA 6 MX SERIES



The two Audio and Composite Video Distribution Amplifiers in this series are the AV DA 6 MX and AV DA 6 MX DUAL. Both of these products are compatible with balanced or unbalanced stereo audio as well as with NTSC, PAL or SECAM devices such as LaserDiscs, VCRs, cameras, etc. Signals are split into six different, independently buffered and amplified, outputs and driven up to 150 feet (45 meters).

The AV DA 6 MX provides one input and six outputs of both two channel Stereo Audio & Composite Video. The AV DA 6 MX DUAL provides two separate-one input, six output, stereo audio (two channel) & composite video distribution amplifiers in one enclosure. Both the AV DA 6 MX & AV DA 6 MX DUAL are rack mountable. The AV DA 6 MX is 1/2 rack width and the AV DA 6 MX DUAL is at one full rack width; both are 1U high.

APPLICATION DIAGRAM - AV DA MX & DUAL



FEATURES

- Video Input Level: .5 - 2 Volts p-p
- Video Bandwidth: 30 MHz (less than $\pm .5$ dB)
- Inputs and outputs each use professional female BNC connectors for 75 Ohm impedance levels
- Audio Frequency Response: 20 Hz to 20 kHz
- Impedance: High Z
- Capable of distributing balanced or unbalanced audio signals

- Utilizes 5 conductor captive screw terminal connectors (3.5 mm) for audio inputs and outputs
- Metal Enclosure/Internal 100-240 Volt auto-switchable power supply
- Rack Mountable

SPECIFICATIONS

Video

Nominal Video Level 1 Volt p-p
Level Range5 - 2 Volts p-p
Impedance 75 Ohms
Bandwidth 30 MHz (less than $\pm .5$ dB)
Differential Gain <.1%
Differential Phase <.1°
MTBF 30,000 Hours
Video Connectors Female BNC

Audio

Voltage Gain Unity
Frequency Response 20 Hz to 20 kHz
Bandwidth 100 kHz
Maximum Level 10 Volts p-p (unbalanced)
Input Impedance High Z
Output Impedance 50 Ohms (capable of 600 Ohms)
MTBF 30,000 Hours
Connectors 3.5 mm captive screw terminals, 5 conductors

Dimensions

AV DA 6 MX 1.75" H x 8.75" W x 9.5" D
	4.45 H x 22.22 W x 24.13 D cm
AV DA 6 MX DUAL 1.75" H x 17.5" W x 9.5" D
	4.45 H x 44.45 W x 24.13 D cm

Rack Mountable Yes

Shipping Weight

AV DA 6 MX 3.26 lbs. (1.48 kg)
AV DA 6 MX DUAL 8 lbs. (3.63 kg)

Power Supply 100-240 Volts, 50/60 Hz auto-switchable (internal)

Warranty Two years, parts & labor

Part Numbers 60-201-01 (AV DA 6 MX)
60-201-02 (AV DA 6 MX DUAL)

ACCESSORIES

1U, 19" Universal Rack Shelf 60-190-01
BNC - RCA Adapters 10-264-01

SV DA 6 MX

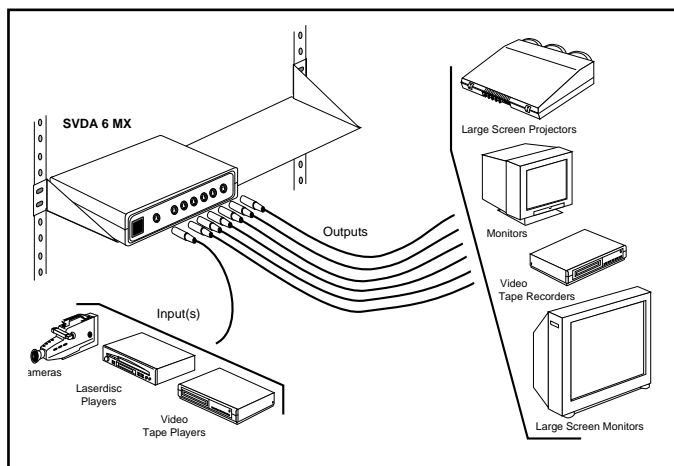


The SV DA 6 MX is a one input, six output S-Video (S-VHS & HI-8) Distribution Amplifier. Compatible with NTSC, PAL or SECAM, the output is split into six different, independently buffered and amplified, outputs and driven up to 150 feet (45 meters).

FEATURES

- Six outputs each individually isolated, buffered and amplified
- Video Input Level: .5 - 2 Volts p-p
- Video Bandwidth: 30 MHz (less than $\pm .5$ dB)
- Inputs and outputs each use professional female 4 pin mini Din
- Metal Enclosure/Internal 100-240 Volt auto-switchable power supply
- Rack Mountable (2 per rack)

APPLICATION DIAGRAM - SVDA 6 MX



SPECIFICATIONS

Video

- Nominal Video Level ... 1 Volt p-p
- Level Range5 - 2 Volts p-p
- Impedance 75 Ohms
- Bandwidth 30 MHz (less than $\pm .5$ dB)
- Differential Gain <.1%
- Differential Phase <.1°
- MTBF 30,000 Hours
- Connectors Female 4-din mini

Dimensions 1.75"H x 8.75"W x 9.5"D
 4.45 H x 22.22 W x 24.13 D cm

Rack Mountable Yes

Shipping Weight 3.26 lbs. (1.48 Kg)

Power Supply 100-240 Volts 50/60 Hz
 auto-switchable

Warranty Two years, parts & labor

Part Number 60-204-01

ACCESSORIES

- 1U, 19" Universal Rack Shelf 60-190-01
- BNC - RCA Adapter 10-264-01
- S-Video to two BNC's 26-353-01

CV DA 6 MX SERIES

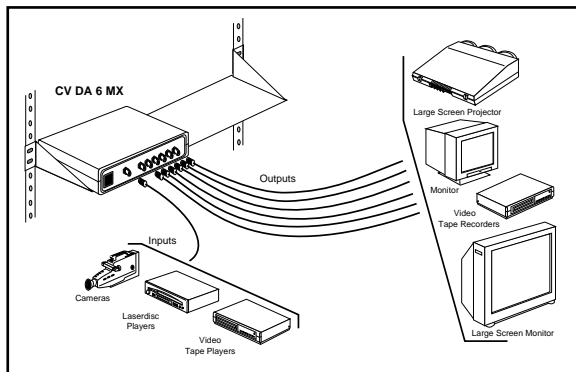


The three Composite Video Distribution Amplifiers in this series are the CV DA 6 MX, CV DA 6 MX DUAL, and the CV DA 6 MX QUAD. Each of these products are compatible with NTSC, PAL or SECAM devices such as LaserDiscs, VCRs, cameras, etc. Signals are split into six different, independently buffered and amplified, outputs and driven up to 150 feet (45 meters). The CV DA 6 MX provides one input and six outputs. The CV DA 6 MX DUAL provides two separate-one input, six output, composite video (line video) distribution amplifiers in one enclosure. Both the CV DA 6 MX & CV DA 6 MX DUAL are rack mountable at 1/2 rack width and 1U high. The CV DA 6 MX QUAD provides four separate-one input, six output, composite video (line video) distribution amplifiers in one enclosure. The CV DA 6 MX QUAD is rack mountable at 1U high (one per rack).

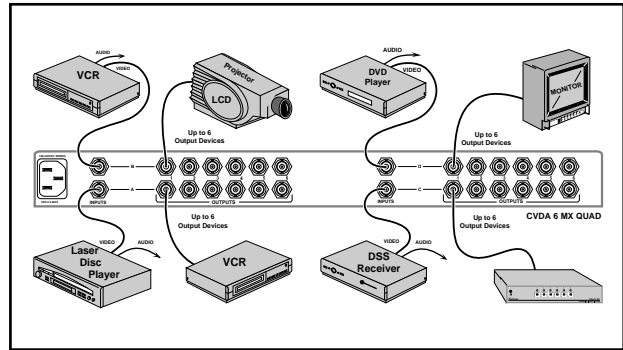
FEATURES

- Video Input Level: .5 - 2 Volts p-p
- Video Bandwidth: 30 MHz (less than $\pm .5$ dB)
- Inputs and outputs each use professional female BNC connectors for 75 Ohm impedance levels
- Metal Enclosure/Internal 100-240 Volt auto-switchable power supply
- Rack Mountable

APPLICATION DIAGRAM - CV DA 6 MX & DUAL



APPLICATION DIAGRAM - CV DA 6 MX QUAD



SPECIFICATIONS

Video

Nominal Video Level	1 Volt p-p
Level Range5 - 2 Volts p-p
Impedance	75 Ohms
Bandwidth	30 MHz (less than $\pm .5$ dB)
Differential Gain	<.1%
Differential Phase	<.1°
MTBF	30,000 Hours
Connectors	Female BNC

Dimensions

CV DA 6 MX & DUAL	...	1.75" H x 8.75" W x 9.5" D
		4.45 H x 22.22 W x 24.13 D cm
CV DA 6 MX QUAD	1.75" H x 17.5" W x 9.5" D
		4.45 H x 44.45 W x 24.13 D cm

Rack Mountable Yes

Shipping Weight

CV DA 6 MX & DUAL	...	3.26 lbs. (1.48 kg)
CV DA 6 MX QUAD	8 lbs. (3.63 kg)

Power Supply 100-240 Volts, 50/60 Hz
auto-switchable (internal)

Warranty Two years, parts & labor

Part Number 60-202-01 (CV DA 6 MX)
60-202-02 (CV DA 6 MX DUAL)
60-202-03 (CV DA 6 MX QUAD)

ACCESSORIES

1U, 19" Universal Rack Shelf	60-190-01
BNC - RCA Adapter	10-264-01

SA DA 6 MX SERIES



The three Stereo Audio Distribution Amplifiers in this series are the SA DA 6 MX, SA DA 6 MX DUAL, and the SA DA 6 MX QUAD. Each of these products are compatible with balanced or unbalanced stereo audio. Signals are split into six different, independently buffered and amplified, outputs and driven up to 150 feet (45 meters).

The SA DA 6 MX provides one input and six outputs. The SA DA 6 MX DUAL provides two separate-one input, six output, stereo audio (two channel) distribution amplifiers in one enclosure. Both the CV DA 6 MX & CV DA 6 MX DUAL are rack mountable at 1/2 rack width and 1U high. The SA DA 6 MX QUAD provides four separate-one input, six output, stereo audio (two channel) distribution amplifiers in one enclosure. The SA DA 6 MX QUAD is rack mountable at 1U high (one per rack).

FEATURES

- *Audio Frequency Response: 20 Hz to 20 kHz.*
- *Input Impedance: High Z*
- *Capable of distributing balanced or unbalanced audio signals*
- *Utilizes 5 conductor captive screw terminal connectors (3.5 mm) for inputs and outputs*
- *Metal Enclosure/Internal 100-240 Volt auto-switchable power supply*
- *Rack Mountable*

SPECIFICATIONS

Audio

Voltage Gain	Unity
Frequency Response	20 Hz to 20 kHz
Bandwidth	100 kHz
Maximum Level	10 Volts p-p (unbalanced)
Input Impedance	High Z
Output Impedance	50 Ohms (capable of driving 600 Ohms)
MTBF	30,000 Hours
Connectors	3.5 mm captive screw terminals, 5 conductors

Dimensions

SA DA 6 MX & DUAL	1.75" H x 8.75" W x 9.5" D 4.45 H x 22.22 W x 24.13 D cm
SA DA 6 MX QUAD	1.75" H x 17.5" W x 9.5" D 4.45 H x 44.45 W x 24.13 D cm

Rack Mountable Yes

Shipping Weight

SA DA 6 MX & DUAL	3.26 lbs. (1.48 kg)
SA DA 6 MX QUAD	8 lbs. (3.63 kg)

Power Supply 100-240 Volts, 50/60 Hz auto-switchable (internal)

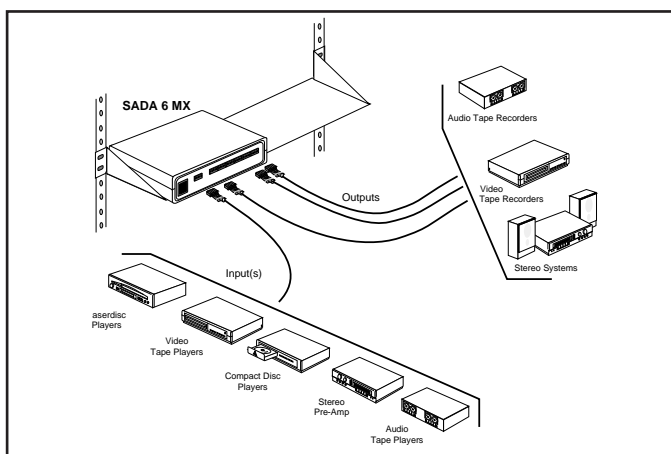
Warranty Two years, parts & labor

Part Number 60-203-01 (SA DA 6 MX)
60-203-02 (SA DA 6 MX DUAL)
60-203-03 (SA DA 6 MX QUAD)

ACCESSORIES

1U, 19" Universal Rack Shelf 60-190-01

APPLICATION DIAGRAM - SA DA MX & DUAL



EXTRON ELECTRONICS/RGB SYSTEMS, INC.
1230 South Lewis Street, Anaheim, CA 92805
(800) 633-9876 (714) 491-1500 FAX (714) 491-1517
U.S.A.

EXTRON ELECTRONICS, EUROPE
Beeldschermweg 6C, 3821 AH Amersfoort
+31-33-453-4040 FAX +31-33-453-4050
The Netherlands

EXTRON ELECTRONICS, ASIA
41B Kreta Ayer Road, Singapore 089003
+65-226-0015 FAX +65-226-0019
Singapore

EXTRON ELECTRONIC INFORMATION
EXTRONWEB™: www.extron.com
EXTRONFAX™: (714) 491-0192
24-hour access—worldwide!

69-12
68-307-01
REV. A