

Extron SCP 226 Secondary Control Panel

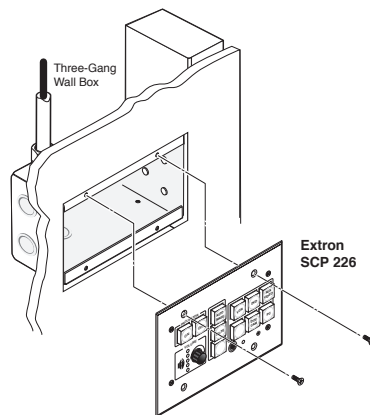
Universal Mounting Capabilities

Extron MLC MediaLink™ Controllers and SCP Secondary Control Panels are compatible with a wide variety of mounting solutions. Controllers and mounting plates are easily integrated into lecterns, wall boxes, and A/V equipment racks.

Extron®

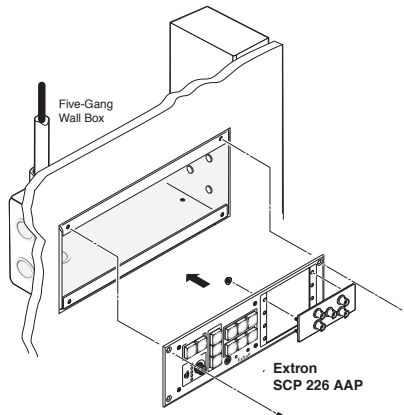
Standard Three-Gang Wall Box

The SCP 226 can be directly installed in a standard two-gang wall box.



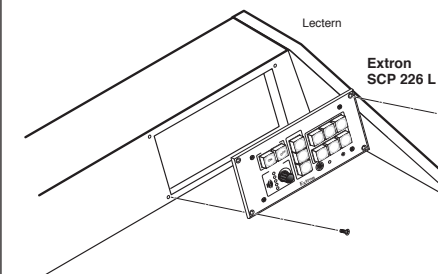
Standard Five-Gang Wall Box

The SCP 226 AAP can be directly installed in a standard four-gang wall box.



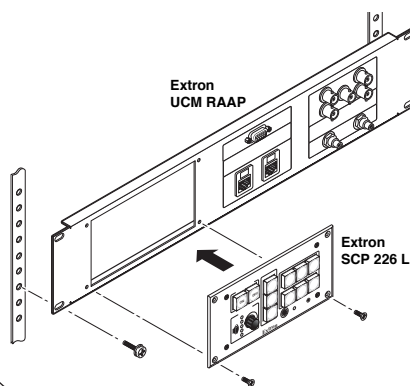
Lectern/Low Profile Applications

The SCP 226 L kit uses a low profile face plate for discreet mounting into a lectern or UCM mount.



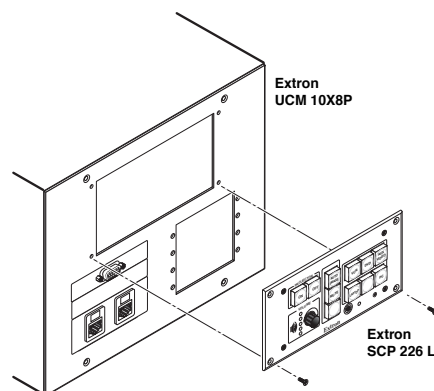
A/V Equipment Rack

The SCP 226 L is used with the UCM RAAP to mount the controller into a standard 19" wide rack (2U).



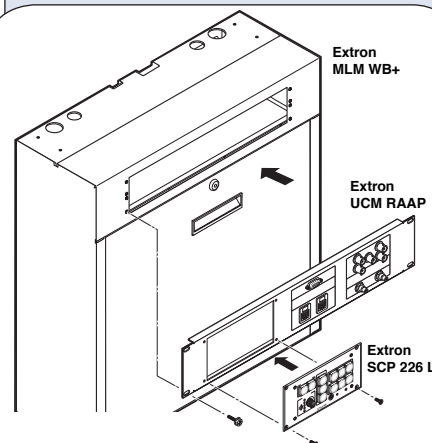
Hoffman 10X8 Wall Box

Hoffman wall box installations can be utilized by mounting the SCP 226 L Kit into the UCM 10X8P faceplate.



Extron MLM WB+

To mount the SCP 226 into the MLM WB+, use the SCP 226 L Kit and the UCM RAAP.



Custom Solutions

The SCP 226 Controller is available without a faceplate for custom solutions.

