

RGB 202 Rxi

UNIVERSAL, DUAL INPUT, ANALOG INTERFACE
WITH AUDIO AND ENHANCED ADSP™

- 300 MHz (-3dB) RGB video bandwidth
- 15-150 kHz compatibility
- Dual input switching
- Enhanced Advanced Digital Sync Processing (ADSP™)
- Digital Display Sync Processing (DDSP™)
- Compatible with VGA – UXGA, Mac, Sun®, and SGI computer signals
- Active PC audio to balanced audio interfacing
- Variable level and peaking
- Horizontal and vertical centering with memory
- 30 memory locations for automatic signal setup



The Extron RGB 202 Rxi is a universal, dual input, analog computer-video interface with audio. It allows nearly every computer and video signal type to be converted for output to display devices such as monitors, projectors, and plasma display panels.



Extron Electronics

www.extron.com

DESCRIPTION

The Extron **RGB 202 Rxi** combines a two input switcher with a high performance universal computer-video and audio interface. The RGB 202 Rxi is an economical alternative to the separate interfaces, input switcher, and multiple cables required for most typical two-computer installations. A simple front panel input selector switch is complemented by both RS-232 and contact closure controls.

The RGB 202 Rxi is compatible with VGA – UXGA, Mac, Sun®, SGI, and other computer-video signals and eliminates almost all connection problems and line driving limitations. An ideal computer-video interface for a wide range of applications, the RGB 202 Rxi includes many innovative features: multiple memory locations on each input; compatibility with analog, ECL, or TTL signals; active audio interfacing; enhanced Advanced Digital Sync Processing (ADSP™) for compatibility with DLP, LCD, D-ILA™/LCoS, plasma, and other digital displays; and controls for horizontal and vertical centering, level and peaking.

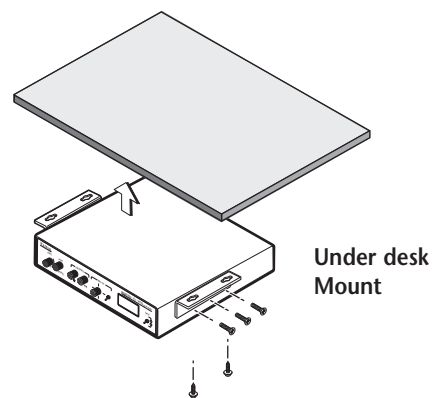
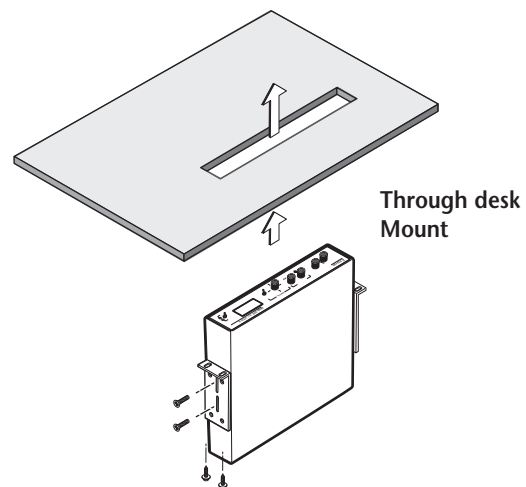
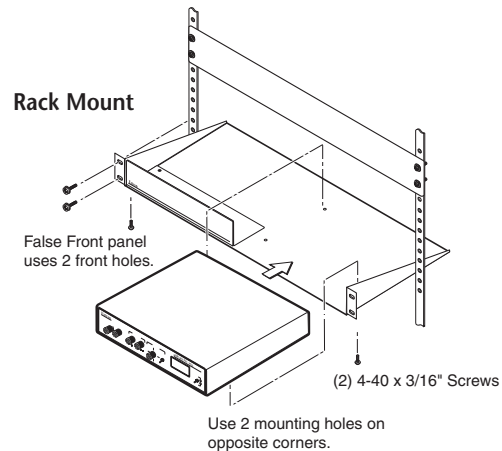
The RGB 202 Rxi is housed in a rugged, compact, vented metal enclosure. It can be rack-mounted with an optional rack shelf kit, or mounted under or through a desk or other surface with the use of an optional under-desk or through-desk mounting kit.

FEATURES

- **High performance specifications** – A 15-150 kHz horizontal frequency range and 300 MHz of RGB video bandwidth.
- **Built-in Advanced Digital Sync Processing (ADSP)** – All-digital process ensures flawless operation with any LCD, DLP, LCoS, plasma, or other digital display device.
- **Digital Display Sync Processing (DDSP)** – Allows other sync processing features to be disabled so the sync signal can pass through unaltered. DIP switch-selectable.
- **Horizontal & vertical centering** – Allows the input signal to be shifted on the presentation device for a properly centered image.
- **Level and peaking control** – Variable level and peaking are available to compensate for fuzzy images and streaking associated with cable resistance and system bandwidth losses.
- **Input Memories** – 30 memory locations store picture position settings for each new resolution or frequency and can be easily recalled for quick setup.
- **Active PC audio interfacing** – Unbalanced computer-generated audio is input via a 3.5 mm mini jack and output as balanced line level audio (stereo).
- **Simultaneous composite and separate sync output** – Six BNC connectors allow for composite and separate horizontal and vertical sync without switches or other configuration. Sync on green is also available (DIP switch-selectable).
- **Control** – Switching can be controlled through contact closure, front panel, and RS-232.
- **LCD display** – Indicates signal frequency for easy troubleshooting.
- **Internal international power supply** – Internal, autoswitchable 100-240 VAC 50/60 Hz power supply with worldwide compatibility.

MOUNTING OPTIONS

Optional mounting kits allow for installation in a rack as well as under and through flat surfaces.

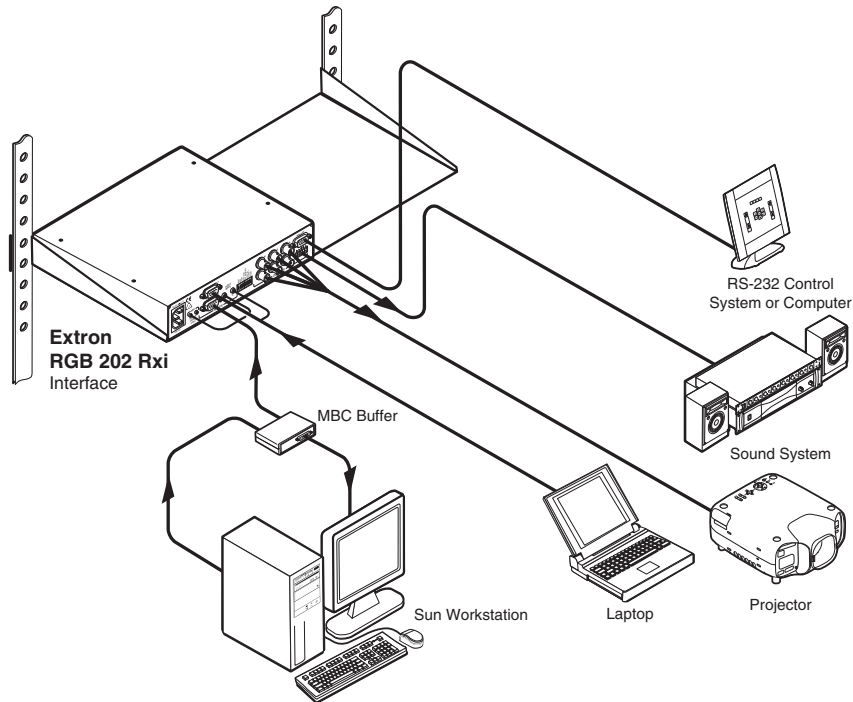


VIDEO	
Routing.....	2 x 1 router
Gain	0.5V to 1.45V p-p
Bandwidth	300 MHz (-3dB)
Rise time.....	1.5 ns
VIDEO INPUT	
Number/signal type	2 analog RGBHV, RGBS, RGsB, RsGsBs
Connectors	(2) 9-pin D male for MBC/LBC cable or buffer
Nominal level	0.7V p-p for RGB
Minimum/maximum levels	Analog: 0.3V to 1.45V p-p with no offset at unity gain
Impedance	75 ohms or high Z, switchable (set to 75 ohms if no local monitor is connected)
Horizontal frequency.....	15 kHz to 150 kHz
Vertical frequency	40 Hz to 140 Hz
Return loss	<-30dB @ 5 MHz
Maximum DC offset	4V
VIDEO OUTPUT	
Number/signal type	1 analog RGBHV, RGBS, RGsB
Connectors	6 BNC female
Nominal level	0.7V p-p for RGB
Minimum/maximum levels	0.3V to 1.30V p-p with 0.7V p-p nominal input level
Impedance	75 ohms
Return loss	-30dB @ 5 MHz
DC offset	±5mV maximum with input at 0 offset
SYNC	
Input type.....	RGBHV, RGBS, RGsB, RsGsBs
Output type	RGBHV, RGBS, RGsB
Input level.....	2V to 5.5V p-p with ±0.2VDC offset max.
Output level	TTL: 4V to 5V p-p, unterminated
Input impedance	510 ohms
Output impedance	75 ohms
Max. propagation delay	85 ns
Max. rise/fall time.....	2 ns
Polarity	RGBHV: tracks polarity (or force negative sync via DIP switch) RGBS, RGsB: negative
AUDIO	
Routing.....	2 x 1 stereo router
Gain	Unbalanced output: 0dB; balanced output: +6dB
Frequency response	20 Hz to 20 kHz, ±0.05dB
THD + Noise	0.03% @ 1 kHz, 0.3% @ 20 kHz at nominal level
S/N.....	>90dB at rated maximum output (17dBu), balanced
Crosstalk.....	<-90dB @ 1 kHz, fully loaded
Stereo channel separation.....	>90dB @ 1 kHz to 20 kHz
AUDIO INPUT	
Number/signal type	2 PC level stereo, unbalanced
Connectors	(2) 3.5 mm stereo jacks (female) (2 channel); tip (L), ring (R), sleeve (ground)
Impedance	>10 kohms, unbalanced, DC coupled
Nominal level	-10dBV (316mV)
Maximum level	+8.5dBu, (balanced or unbalanced) at 1%THD+N

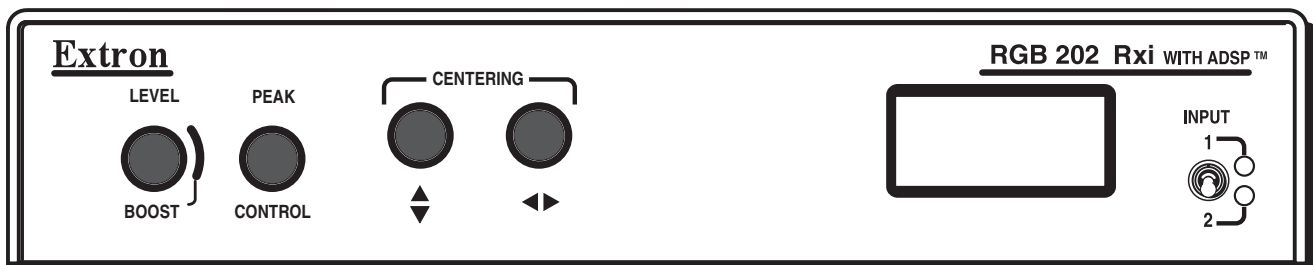
AUDIO OUTPUT	
Number/signal type	1 buffered stereo (2 channel), balanced/unbalanced
Connectors	(1) 3.5 mm, captive screw connector, 5-pole
Impedance	50 ohms unbalanced, 100 ohms balanced
Gain error	±0.1dB channel to channel
Maximum level (Hi-Z).....	>+14dBu, balanced at stated %THD+N
Maximum level (600 ohm).....	>+8.5dBm, balanced at stated %THD+N
NOTE: 0dBu = 0.775 volts (RMS).	
CONTROL/REMOTE — INTERFACE	
Serial control port.....	RS-232, 9-pin female D connector (also used for contact closure)
Baud rate and protocol.....	9600, 8-bit, 1 stop bit, no parity
Serial control pin configuration.....	2 = TX, 3 = RX, 5 = GND
Contact closure.....	1 9-pin female D connector (also used for RS-232)
Contact closure pin configuration ..	1 = input #1, 4 = input #2, 5 = GND
Program control	Extron's control program for Windows Extron's Simple Instruction Set™ – SIS™
GENERAL	
Input power	100VAC to 240VAC, 50/60 Hz, 18 watts, internal, autoswitchable
MBC power jacks	9.0VDC, 0.15A
Rack mount	Yes, with an optional rack shelf (part #60-190-01)
Furniture mount	Yes, with an optional under-desk mounting kit (part #70-077-01) or through-desk mounting kit (part #70-077-02)
Enclosure type	Metal, vented
Enclosure dimensions	1.75" H x 8.75" W x 8.6" D (1U high, half rack width) 4.4 cm H x 22.2 cm W x 21.8 cm D (Depth excludes knobs.)
Product weight	RGB 202 Rxi: 2.2 lbs (1.0 kg)
Shipping weight	5 lbs (2.3 kg)
Vibration.....	ISTA/NSTA 1A in carton (International Safe Transit Association)
Listings	UL, CUL
Compliances	CE, FCC Class A
MTBF	30,000 hours
Warranty	3 years parts and labor
Model Part Numbers	
RGB 202 Rxi.....	60-327-01
Optional Accessories Part Numbers	
3.5 mm stereo plug	10-306-01
Interface Kit Case	21-009-01
1U Rack Shelf (Gray)	60-190-01
Under-desk mounting tab kit	70-077-01
Through-desk mounting tab kit	70-077-02
VGA MHR, Male to Female (molded), 6' (1.83 m)	26-112-15
LBC VGA HR 6' (Analog).....	26-224-01
LBC VGA HR 3' (Analog).....	26-224-02
LBC VGA HR 12' (Analog).....	26-224-03
LBC Mac HR 6' (Analog).....	26-363-01
LBC Mac HR 3' (Analog).....	26-363-03
LBC Mac HR 12' (Analog).....	26-363-04
LBC SUN HR 6' (61 kHz) (Analog)	26-413-01
LBC SUN HR 6' (71 kHz) (Analog)	26-413-02
LBC SUN HR 6' (81 kHz) (Analog)	26-413-03
LBC SUN HR 3' (61 kHz) (Analog)	26-413-04
LBC SUN HR 12' (61 kHz) (Analog) ..	26-413-05
LBC SUN HR 3' (71 kHz) (Analog)	26-413-06
LBC SUN HR 12' (71 kHz) (Analog) ..	26-413-07
LBC SUN HR 3' (81 kHz) (Analog)	26-413-08
LBC SUN HR 12' (81kHz) (Analog)	26-413-09
13W3 adapter kit	70-079-01

Specifications are subject to change without notice.

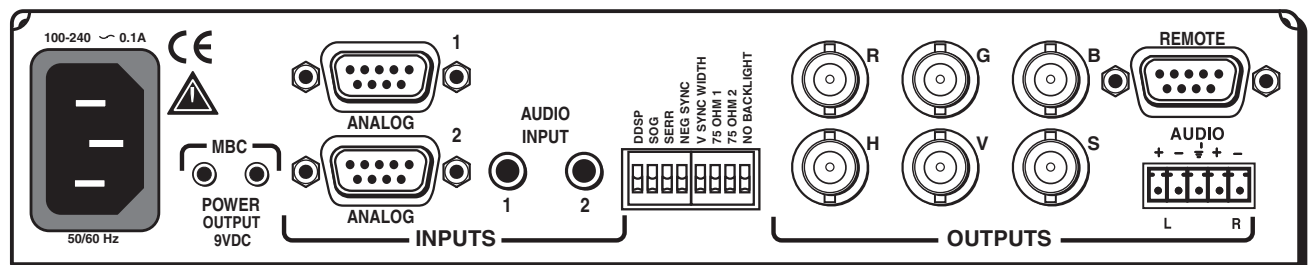
APPLICATION DIAGRAM



PANEL DRAWINGS



Front



Back



Extron Electronics, USA
 1230 South Lewis Street
 Anaheim, CA 92805
 800.633.9876 714.491.1500
 FAX 714.491.1517

Extron Electronics, Europe
 Beeldschermweg 6C
 3821 AH Amersfoort, The Netherlands
 +800.3987.6673 +31.33.453.4040
 FAX +31.33.453.4050

Extron Electronics, Asia
 135 Joo Seng Rd. #04-01
 PM Industrial Bldg., Singapore 368363
 +800.7339.8766 +65.6383.4400
 FAX +65.6383.4664

Extron Electronics, Japan
 Daisan DMJ Bldg. 6F, 3-9-1 Kudan Minami
 Chiyoda-ku, Tokyo 102-0074
 Japan
 +81.3.3511.7655 FAX +81.3.3511.7656