

RGB 201 Rxi

UNIVERSAL, ANALOG INTERFACE
WITH AUDIO & ENHANCED ADSP™

- 300 MHz (-3dB) RGB video bandwidth
- Enhanced advanced Digital Sync Processing (ADSP™)
- Compatible with VGA-UXGA, Mac, Sun, and SGI computer signals
- Buffered local monitor output
- Active PC audio interfacing
- Built-in audio summing amp
- Level and peaking controls
- Horizontal and vertical centering
- 30 input memories
- LCD display
- RS-232 remote control



The Extron RGB 201 Rxi is a universal, analog computer-video and audio interface that allows nearly every computer-video signal to be connected with compatible display devices such as monitors, projectors, and plasma displays. The RGB 201 Rxi is ideal for smaller classrooms, auditoriums, and conference rooms that require a full-featured, single input interface.



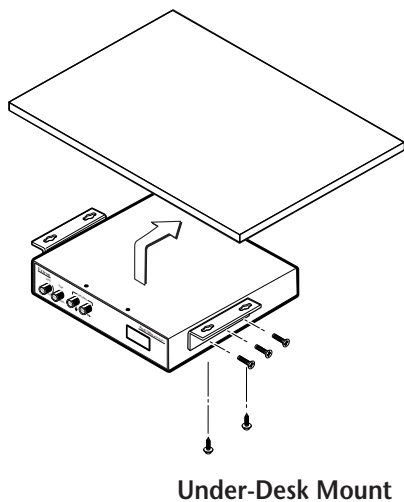
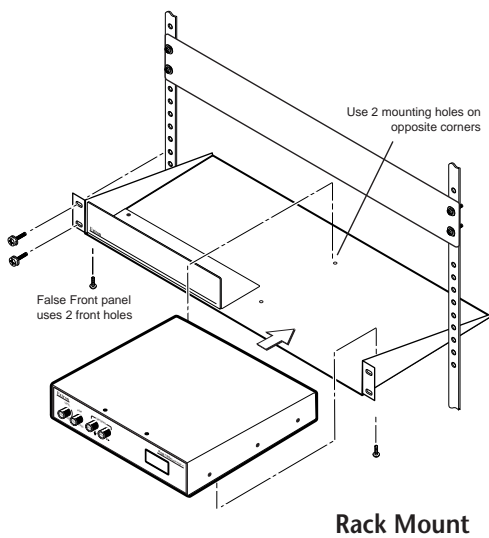
Extron® Electronics

www.extron.com

DESCRIPTION

The Extron **RGB 201 Rxi** is a universal, analog computer-video interface with audio that includes a female 15-pin HD input connector and a 15-pin HD buffered local monitor output. The RGB 201 Rxi is able to convert computer-generated, unbalanced audio to stereo or mono balanced line-level audio, and has 30 memory locations for recalling resolution/frequency signal settings. It is also equipped with Extron's enhanced Advanced Digital Sync Processing (ADSP) technology to ensure compatibility with digital displays such as DLP, LCD, D-ILA/LCoS, plasma, etc. and a Digital Display Sync Processing (DDSP™) DIP switch to bypass sync processing and horizontal and vertical centering. The RGB 201 Rxi is ideal for classrooms, auditoriums, and conference rooms that require only one input.

With a 15-150 kHz scanning range and 300 MHz (-3dB) RGB video bandwidth, the RGB 201 Rxi is compatible with nearly every computer-video signal, including VGA–UXGA, Mac, Sun, and SGI. Optional adapters for Mac to VGA and SUN/SGI to VGA connection are available. It is housed in a compact, 1U high, half rack width rugged metal enclosure and can be rack or under-desk mounted.



FEATURES

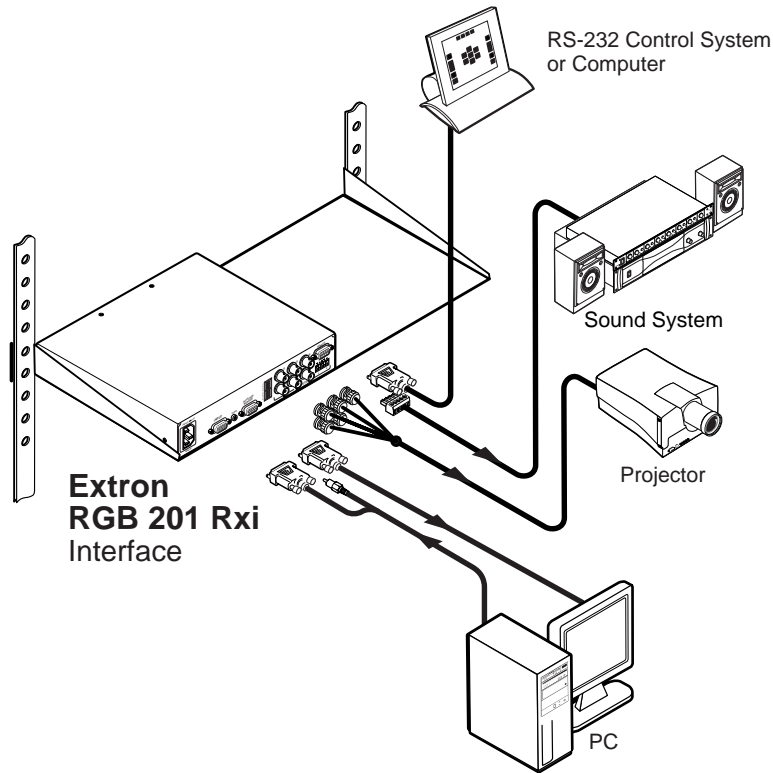
- **High performance compatibility** – Provides a 15-150 kHz horizontal frequency range and 300 MHz (-3dB) of RGB video bandwidth to ensure signal integrity.
- **Buffered local monitor output** – Provides for local monitor output on female 15-pin HD connector, enabling a signal to be easily monitored or distributed without using a distribution amplifier.
- **Enhanced Built-in Advanced Digital Sync Processing (ADSP)** – All-digital process ensures flawless operation with any LCD, DLP, D-ILA/LCoS, plasma, or other digital display device. Enhanced (ADSP) offers ultra-fine horizontal vertical position.
- **Digital Sync Validation Processing (DSVP)** – Confirms input source is active by scanning sync input for an active signal via RS-232. With DSVP, potential problems can be tracked down much faster, saving time and unnecessary maintenance calls.
- **Horizontal & vertical centering** – Allows the image to be shifted on the presentation device for a properly centered image and is accessible through the front panel for quick and efficient image setup.
- **Level and Peaking Controls** – Individual level and peaking controls can be adjusted to compensate for signal voltage attenuation and high frequency losses that occur in lengthy cable runs, resulting in images with enhanced image contrast and detail (sharpness).
- **Input memory presets** – Allow the RGB 201 Rxi to automatically recall 30 memory presets. Each memory location stores picture position settings for each new resolution/frequency that can be instantaneously recalled during a presentation.
- **Active PC audio interfacing** – Unbalanced computer-generated audio is input via a 3.5 mm mini-jack and output as buffered, balanced line-level audio (stereo or mono). Balanced audio is advantageous as it inherently rejects outside noise and can travel long distances while still maintaining clarity.
- **Built-in audio summing amp** – Converts stereo (left/right) audio into mono output. This feature is ideal for applications where a mono output is required as it eliminates the need for an external device to sum the audio.
- **Simultaneous composite sync and separate sync output** – Six BNC connectors allow for composite sync and separate horizontal and vertical sync without switches or other configuration. Sync on green is also available (DIP switch-selectable).
- **LCD display** – Indicates signal frequency and resolution for easy troubleshooting.
- **RS-232 remote control** – A rear panel RS-232 control port provides connection to a third-party control system. Extron's Simple Instruction Set (SIS™) of basic ASCII code is used for easy operation of the RGB 201 Rxi interface using RS-232 control.
- **International internal power supply** – The 100-240VAC, 50/60 Hz, auto-switchable, internal power supply provides worldwide power compatibility.
- **Flexible mounting options** – Optional mounting kits allow for installation under or through a desk or in a rack.

VIDEO	
Gain	0.5V to 1.45V p-p
Bandwidth	300 MHz (-3dB)
Rise time.....	1.5 ns
VIDEO INPUT	
Number/signal type	1 analog: RGBHV, RGBS, RGsB, RsGsBs
Connectors	(1) 15-pin HD female
Nominal level	0.7V p-p for RGB
Minimum/maximum levels.....	Analog: 0.3V to 1.45V p-p with no offset at unity gain
Impedance	75 ohms
Horizontal frequency	15 kHz to 150 kHz
Vertical frequency	40 Hz to 140 Hz
Return loss	-30dB @ 5 MHz
Maximum DC offset	4V
VIDEO OUTPUT	
Number/signal type	1 analog: RGBHV, RGBS, RGsB
Connectors	6 BNC female
Nominal level	0.7V p-p for RGB
Minimum/maximum levels.....	0.3V to 1.30V p-p with 0.7V p-p nominal input level
Impedance	75 ohms
Return loss	-30dB @ 5 MHz
DC offset	±5mV maximum with input at 0 offset
SYNC	
Input type.....	RGBHV, RGBS, RGsB, RsGsBs
Output type	RGBHV, RGBS, RGsB
Input level	2V to 5.5V p-p with ±0.2VDC offset maximum
Output level	TTL: 4V to 5V p-p, unterminated
Input impedance	510 ohms
Output impedance	75 ohms
Max. propagation delay	85 ns
Max. rise/fall time.....	2 ns
Polarity	RGBHV: tracks polarity (or force negative sync via internal jumper) RGBS, RGsB: negative
AUDIO	
Gain	Unbalanced output: 0dB; balanced output: +6dB
Frequency response	20 Hz to 20 kHz, ±0.05dB
THD + Noise	0.03% @ 1 kHz, 0.3% @ 20 kHz at nominal level
S/N	>90dB at rated maximum output drive (17dBu), balanced
Crosstalk.....	<-90dB @ 1 kHz, fully loaded
Stereo channel separation	>90dB @ 1 kHz to 20 kHz
AUDIO INPUT	
Number/signal type	1 PC level stereo, unbalanced
Connectors.....	1 3.5 mm stereo jacks (female) (2 channel); tip (L), ring (R), sleeve (ground)

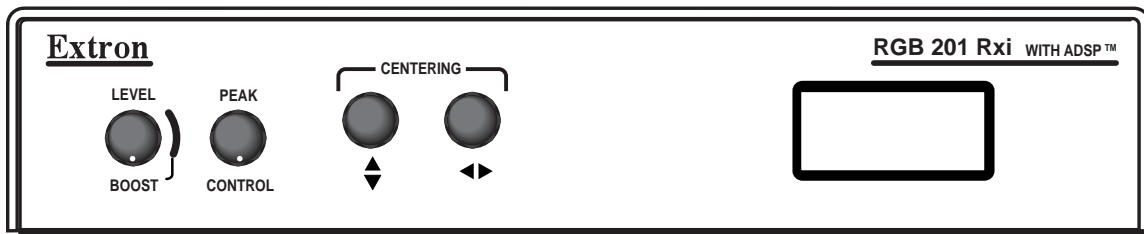
Impedance	>10 kohms, unbalanced, DC coupled
Nominal level	-10dBV (316mV)
Maximum level.....	+8.5dBu, (balanced or unbalanced) at stated 1%THD+N
AUDIO OUTPUT	
Number/signal type	1 buffered stereo (2 channel) or mono, balanced/unbalanced
Connectors	(1) 3.5 mm, captive screw connector, 5-pole
Impedance	50 ohms unbalanced, 100 ohms balanced
Gain error	±0.1dB channel to channel
Maximum level (Hi-Z).....	>+14dBu, balanced at stated %THD+N
Maximum level (600 ohm).....	>+8.5dBm, balanced at stated %THD+N
NOTE: 0dBu = 0.775 volts (RMS).	
CONTROL/REMOTE — INTERFACE	
Serial control port.....	RS-232, 9-pin female D connector
Baud rate and protocol.....	9600, 8-bit, 1 stop bit, no parity
Serial control pin configuration	2 = TX, 3 = RX, 5 = GND
Program control	Extron's control program for Windows Extron's Simple Instruction Set™ – SIS™
GENERAL	
Input power	100VAC to 240VAC, 50/60 Hz, 18 watts, internal, autoswitchable
Rack mount	Yes, with an optional rack shelf (part #60-190-01)
Furniture mount.....	Yes, with an optional under-desk mounting kit (part #70-077-01) or through-desk mounting kit (part #70-077-02)
Enclosure type	Metal, vented
Enclosure dimensions	1.75" H x 8.75" W x 8.0" D (1U high, half rack width) 4.4 cm H x 22.2 cm W x 20.3 cm D with rear BNCs D = 8.4" (21.3 cm) (Depth excludes knobs.)
Product weight.....	2.2 lbs (1.0 kg)
Shipping weight.....	5 lbs (2.3 kg)
Vibration.....	ISTA/NSTA 1A in carton (International Safe Transit Association)
Listings	UL, CUL
Compliances.....	CE, FCC Class A, VCCI, AS/NZS, ICES
MTBF	30,000 hours
Warranty	3 years parts and labor
Model	Part Number
RGB 201 Rxi	60-507-01

Specifications are subject to change without notice.

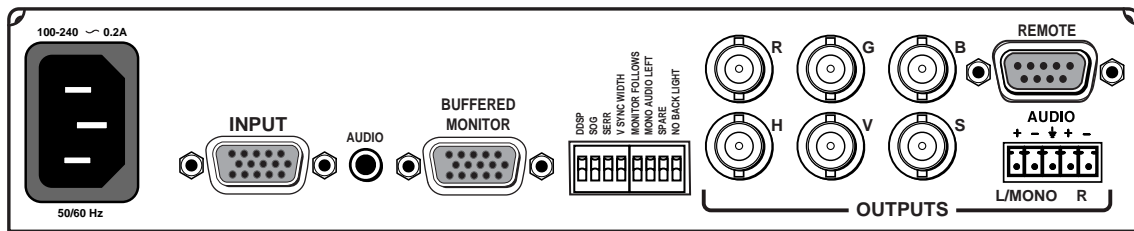
APPLICATION DIAGRAM



PANEL DRAWINGS



Front



Back



Extron Electronics, USA
1230 South Lewis Street
Anaheim, CA 92805
800.633.9876 714.491.1500
FAX 714.491.1517

Extron Electronics, Europe
Beeldschermweg 6C
3821 AH Amersfoort, The Netherlands
+800.3987.6673 +31.33.453.4040
FAX +31.33.453.4050

Extron Electronics, Asia
135 Joo Seng Rd. #04-01
PM Industrial Bldg.
Singapore 368363
+65.6383.4400 FAX +65.6383.4664

Extron Electronics, Japan
Daisan DMJ Bldg. 6F, 3-9-1 Kudan Minami
Chiyoda-ku, Tokyo 102-0074
Japan
+81.3.3511.7655 FAX +81.3.3511.7656