

RGB 192

UNIVERSAL 15-PIN HD INPUT, MOUNTABLE
COMPUTER INTERFACE WITH AUDIO

- 300 MHz (-3dB) RGB video bandwidth
- 15-130 kHz compatibility
- Digital Display Sync Processing (DDSP™)
- Compatible with VGA—UXGA (RGB 192V), Sun, SGI, and power PC computer signals (RGB 192S)
- Buffered local monitor output
- Balanced audio (mono or stereo) output
- Horizontal image shift control
- Two position level/peaking switch
- External international power supply



The RGB 192 is a compact, mountable, universal analog computer-video interface with active PC audio interfacing, which allows nearly every computer video signal type to be converted for output to display devices such as monitors, projectors, and plasma display panels. The RGB 192 is an economical solution for smaller classrooms, auditoriums, and conference rooms.



Extron® Electronics

www.extron.com

DESCRIPTION

The Extron **RGB 192** is a universal, analog computer-video interface with audio that includes a female 15-pin HD input connector and a 15-pin HD buffered local monitor output as well as output on six female BNCs. It also includes a horizontal shift control and two-color power indication LED. The RGB 192 is able to convert computer-generated, unbalanced audio to balanced line-level audio, and is equipped with Extron's Digital Display Sync Processing (DDSP™) to ensure compatibility with digital displays (DLP, LCD, plasma).

With a 15-130 kHz scanning range and 300 MHz (-3dB) RGB video bandwidth, the RGB 192 is compatible with nearly every computer and video signal type, including VGA—UXGA, Mac, Sun, and SGI. It features ID bit termination on pins 4 and 11 of its 15-pin HD input, ensuring that computers requiring local monitors to operate will do so in the event that one is not attached. There are two models of the RGB 192: the RGB 192V for PCs and the RGB 192S for Sun, SGI, and IBM Power PC workstations. The RGB 192V ships with a 6 foot 15-pin HD male to male cable while the RGB 192S provides 13W3 to 15-pin HD adapter cables for input and local monitor output. Optional adapters are available for MAC to VGA and SUN/SGI to VGA connection to the RGB 192. Both models come in compact, metal enclosures and include an under-surface mounting kit for mounting under a table or desk.



RGB 192 Kit

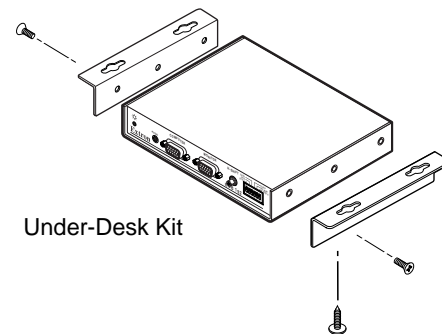
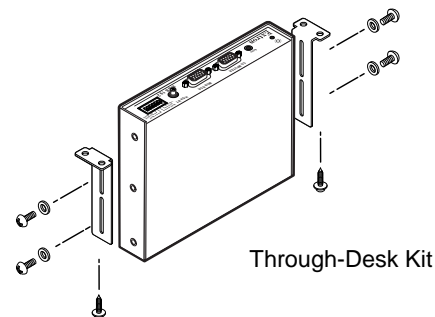
RGB 192 Kit

The Extron RGB 192 Kit features:

- **RGB 192V** – Universal analog computer-video interface
- **VGA input cable with audio** – A 6 foot male-to-male cable
- **Mac Cable Adapter Kit with audio** – Includes 6 foot Mac to VGA input cable and 1 foot VGA to Mac local monitor adapter cable
- **13W3 Cable Adapter Kit with audio** – Includes one 6 foot 13W3 to VGA input cable with format and ID termination switches and two 1 foot VGA to 13W3 monitor breakout adapter cable with format switches
- **BNC-5 25 foot HR** – A 25 foot (7.5 mm), mini high-resolution RGB BNC-5 cable
- **RGB192 Kit case** – A briefcase-sized carrying case including durable hard-foam cutouts for all kit components
- Extron “tweaker” alignment tool

FEATURES

- **High performance compatibility** – Provides a 15-130 kHz horizontal frequency range and 300 MHz of RGB video bandwidth.
- **Buffered local monitor output** – Enables local viewing of the computer source.
- **Digital Display Sync Processing (DDSP)** – Ensures compatibility with digital display devices.
- **Horizontal image shift control** – Enables centering of the computer image on the output display.
- **Active PC audio interfacing** – Unbalanced computer-generated audio is input via a 3.5mm mini stereo jack and output as balanced line-level audio (Stereo or Mono).
- **Simultaneous composite and separate H&V sync output** – Six BNC connectors allow for composite and separate horizontal and vertical sync to be output simultaneously. Sync on green is also available. (DIP switch selectable).
- **Two-color LED indicates power standby and signal present** – Indicates when power is applied to interface and when input signal is present for easy troubleshooting.
- **External international power supply** – The RGB 192 has an external, desktop switch mode 100-240 VAC 50/60 Hz power supply with worldwide compatibility.
- **Flexible mounting options** – The RGB 192 ships with an under-desk mounting kit for discreet mounting of the interface under a table or desk. Optional through-desk kit may be purchased separately.

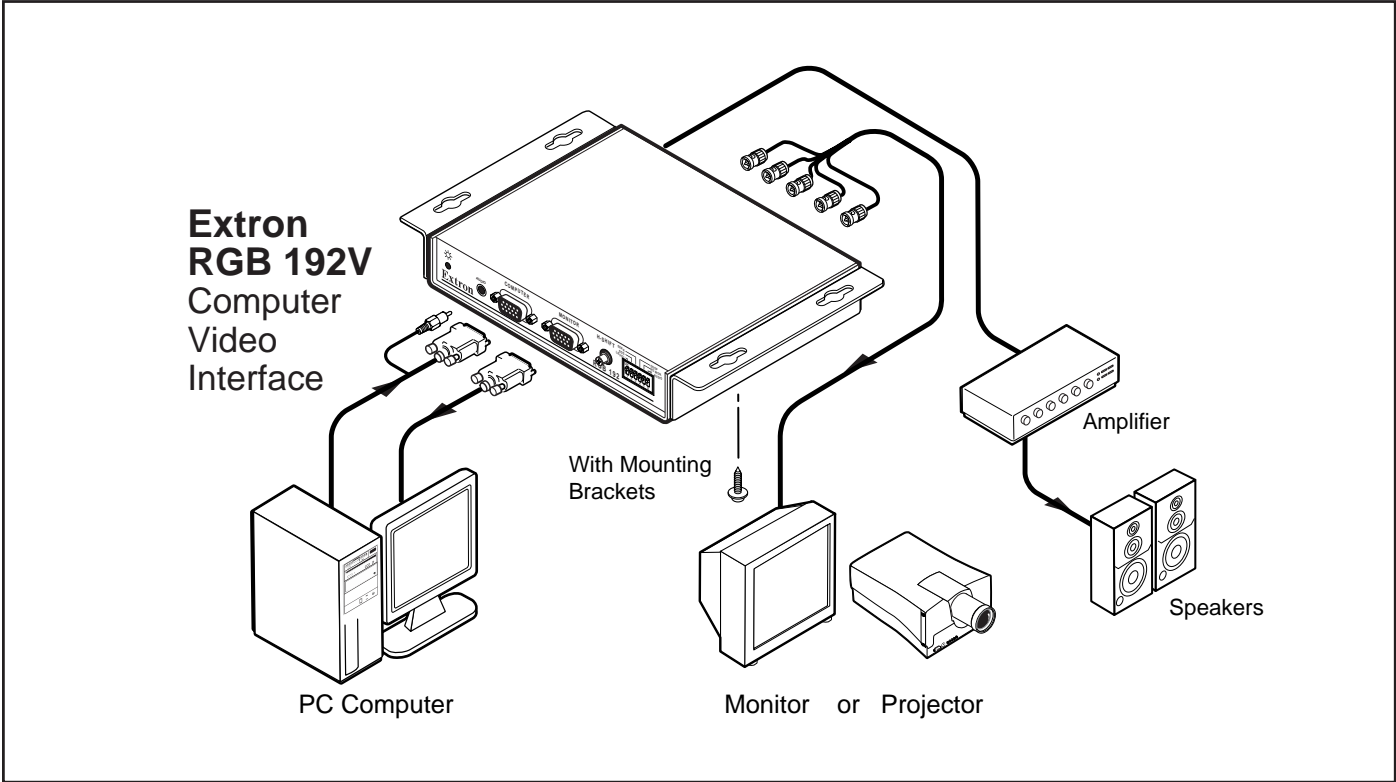


Flexible Mounting Options

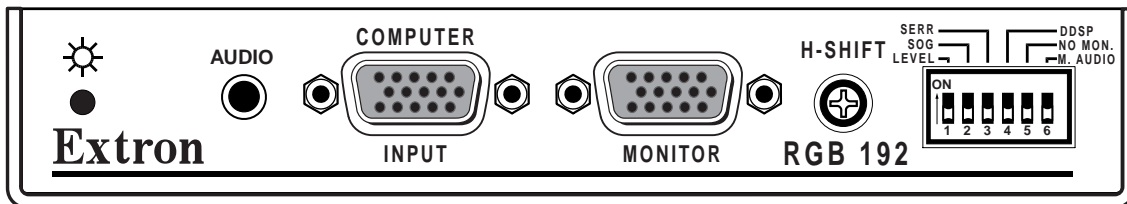
VIDEO	
Gain	Unity (0.7V), (0.80V) 15% with 3dB peaking
Bandwidth	300 MHz (-3dB)
Rise time	1.5ns
VIDEO INPUT	
Number/signal type.....	1 analog RGBHV, RGBS, RGsB
Connectors	1 15-pin HD female
Minimum/maximum levels	Analog -0.3 to 1.45 volts p-p with no offset at unity gain
Impedance	75 ohms
Horizontal frequency	15 kHz to 130 kHz
Vertical frequency	30 Hz to 170 Hz
Return loss.....	-41dB @ 5 MHz
Maximum	4V
VIDEO OUTPUT	
Number/signal type.....	1 analog RGBHV, RGBS, RGsB
Connectors	6 BNC female 1 15-pin HD female (buffered local monitor output)
Minimum/maximum levels	Analog 0.7V to 0.8V p-p (DIP switch selectable) w/peaking
Impedance	75 ohms
Return loss.....	-45dB @ 5 MHz
DC offset	±5mV maximum with input at 0 offset
SYNC	
Input type	RGBHV, RGBS, RGsB (accepts RGsB but does not strip sync from video)
Output type	RGBHV at all times RGBS at all times RGsB (switch-selectable)
Input level	2V p-p to 5.5V p-p with ±0.2VDC offset max.
Output level	4V to 5V p-p
Input impedance	510 ohms
Output impedance	75 ohms
Max. propagation delay	57 ns
Max. rise/fall time	4 ns
Polarity	RGBHV: when RGBHV is input, polarity follows input; otherwise negative RGBS, RGsB: negative
AUDIO—RGB 192 ONLY	
Gain	Unbalanced stereo or mono 0dB, balanced +6dB
Frequency response.....	20 Hz to 20 kHz, ± 0.05dB
THD + Noise	0.03% @ 1 kHz, 0.3% @ 20kHz at rated maximum output drive
S/N	>90dB at rated maximum output (14dBm), balanced

Crosstalk	<-90dB @ 1 kHz
Stereo channel separation	>90dB @ 1 kHz to 20 kHz
AUDIO INPUT—RGB 192 ONLY	
Number/signal type.....	1 stereo, unbalanced, or mono
Connectors	1 3.5 mm stereo jack (2 channel), unbalanced; tip (R), ring (L), sleeve (ground)
Impedance	>10 kohms, unbalanced, DC coupled
Maximum level	+14dBu at stated %THD+N
AUDIO OUTPUT—RGB 192 ONLY	
Number/signal type.....	1 buffered, stereo (2 channel) or mono, balanced or unbalanced
Connectors	1 3.5 mm captive screw connector, 5 pole
Impedance	50 ohms unbalanced, 100 ohms balanced
Gain error	±0.1dB channel to channel
Maximum level (600 ohm)	> +14dBm, balanced at stated %THD+N
GENERAL—RGB 192 ONLY	
Power	100VAC to 240VAC, 50/60 Hz, 3.2 watts, external, autoswitchable; to 12VDC, 1.0 A power supply (included). Product requires 0.35 A.
Rack mount	No, but furniture mountable with optional mounting brackets
Enclosure type	Metal
Enclosure dimensions	1.0" H x 5.7" W x 4.5" D 2.54 cm H x 14.48 cm W x 11.43 cm D (Depth excludes connectors.)
Product weight	3.5 lbs (1.6 kg)
Shipping weight	4 lbs (1.8 kg)
Vibration	ISTA/NSTA 1A in carton (International Safe Transit Association)
Listings	UL, CUL
Compliances	CE, FCC Class A, VCCI, AS/NZS, ICES
Model	Part Number
RGB 192V (PC Version)	60-486-01
RGB 192S (SGI Version)	60-486-02
RGB 192 Kit.....	42-054-01
Mounting Options:	
Through-desk mount kit	70-077-02
Under-desk mount kit	70-077-01

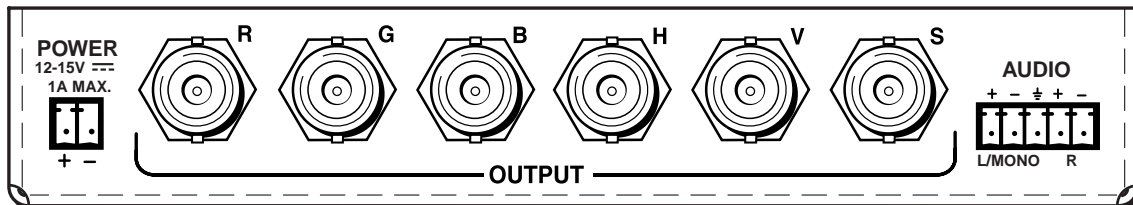
APPLICATION DIAGRAM



PANEL DRAWINGS



Front



Back



Extron Electronics, USA
1230 South Lewis Street
Anaheim, CA 92805
800.633.9876 714.491.1500
FAX 714.491.1517

Extron Electronics, Europe
Beeldschermweg 6C, 3821 AH Amersfoort
The Netherlands
+800.3987.6673 +31.33.453.4040
FAX +31.33.453.4050

Extron Electronics, Asia
135 Joo Seng Rd. #04-01
PM Industrial Bldg.
Singapore 368363
+65.6383.4400 FAX +65.6383.4664

Extron Electronics, Japan
Daisan DMJ Bldg. 6F, 3-9-1 Kudan Minami
Chiyoda-ku, Tokyo 102-0074
Japan
+81.3.3511.7655 FAX +81.3.3511.7656